



IEA
SOLAR R&D

INTERNATIONAL ENERGY AGENCY

**program
to develop and test
solar heating
and cooling systems**

Task 1

**INVESTIGATION OF THE PERFORMANCE OF
SOLAR HEATING AND COOLING SYSTEMS**

**DATA REQUIREMENTS AND THERMAL
PERFORMANCE EVALUATION PROCEDURES
FOR SOLAR HEATING AND COOLING SYSTEMS**

August 1979

DATA REQUIREMENTS AND THERMAL PERFORMANCE EVALUATION
PROCEDURES FOR SOLAR HEATING AND COOLING SYSTEMS

The following persons and groups have contributed to this report.

Faculte Polytechnique de Mons, Mons, Belgium

Andre Pilatte

Technical University of Denmark, Lyngby, Denmark

J. Lemming

Ove Jorgensen

Faber Computer Operation Ltd., St. Albans, Hertfordshire, England

David Curtis

Phillips Research Laboratory, Aachen, Germany

Richard Bruno

Nikken Sekkel Ltd., Osaka, Japan

Tatsuo Inooka

Eindhoven University of Technology, Eindhoven, Netherlands

Chris van Koppen

The Royal Institute of Technology, Stockholm, Sweden

Per Isakson

Ecole Polytechnique Federale de Lausanne, Lausanne, Switzerland

Guy-Roland Perrin

Andre Faist

The report was edited by

Elmer R. Streed

National Bureau of Standards

Washington, D.C. 20234

ABSTRACT

This document provides standardized nomenclature and procedures to serve as a guide to monitor and evaluate research or demonstration type solar hot water or heated and/or cooled systems, components and buildings. Performance factors, data requirements, measurement parameters and data analysis methods are described for typical solar energy systems. The document has resulted from the review and comments submitted by representatives of countries participating in Task 1. Material developed by the United States for use in the National Solar Heating and Cooling Demonstration Program and published as NBSIR 76-1137 [1], was used as the primary reference. The contact persons for each country participating in Task 1 are listed in Appendix A.

TABLE OF CONTENTS

	<u>PAGE</u>
1.0 Introduction	1
2.0 Program Objectives	2
3.0 Performance Evaluation Procedure	3
3.1 Standard Designations for Sensors and Subsystems	3
3.2 General Solar Energy System Description and Energy Balance	5
4.0 Active Systems Description and Performance Calculations	10
4.1 Energy Collection and Storage Subsystems	10
4.2 Hot Water Subsystem	14
4.3 Space Heating Subsystem	16
4.4 Space Cooling Subsystem	19
4.5 Building Systems Summary	22
5.0 Systems Performance Evaluation Summary (Active Systems)	25
5.1 Performance Factors - General	25
5.2 Energy Saved - General	27
5.3 Climatic Primary Performance Factors	28
5.4 Energy Collection and Storage Subsystem (ECCS) Primary Performance Factors	29
5.5 Hot Water Subsystems (HWS) Primary Performance Factors	31
5.6 Space Heating Subsystem (SHS) Primary Performance Factors	33
5.7 Space Cooling Subsystem (SCS) Primary Performance Factors	35
5.8 Solar Energy System/Building Summary	37
5.9 Secondary Performance Factors and Measurements	40
6.0 Uncertainty Analysis of Solar Performance Factors	47
6.1 Sensitivity Analysis Methods	47
6.2 Derivation of the Overall Instrumentation Accuracies	50
6.3 Summary	59
7.0 Application of Performance Factors	61
7.1 Solar Energy System Thermal Performance	61
7.2 Solar Energy System Thermal Effectiveness	61
7.3 Analytical Predictions	64
7.4 Solar Collector Array	64
7.5 Component Predicted Performance	66
7.6 Climatic Data	66
7.7 Recommendations	70
8.0 Conclusions	72
9.0 References	73
10.0 Appendix A	74

TABLES AND FIGURES

<u>TABLES</u>	<u>PAGE</u>
1. Primary Performance Evaluations Factors	4
2. Summary of System/Building Performance Evaluation Factors	24
3a&b. CSU Sampled Data Using Differential Sampling Intervals	55
4. Range of Measured Daily Variance with Data Extrapolated for Weekly, Monthly and Yearly Periods	56
5. Sampling Rate as a Function of Time Interval for Several Data Require- ment Types	57
6. Instrumentation Range, Accuracy and Measurement Frequency	60
7. Comparison of Collector Performance Coefficients Derived from Testing and Analysis	67
8. Application of Specific Performance Factors to Evaluation Areas	71

FIGURES

1. Energy Flow Diagram between Subsystems and Building	6
2. Energy Collection and Storage Subsystems (ECSS)	11
3. Primary and Secondary Performance Factors for Energy Collection and Storage Subsystem (ECSS)	12
4. Hot Water Subsystem Flow Schematic, Sensors and Performance Calculations ..	15
5. Space Heating Subsystem Flow Schematic, Sensors	17
5a. Primary and Secondary Performance Factors for Space Heating Subsystems.....	18
6. Space Cooling Subsystem Flow Schematic, Sensors and Performance Calculations	20
7. Energy Flow Diagram Showing the Relation between the Installed Systems and the Building	23
8. Accuracy in Calculated Solar Energy Collected (Q100)	52
9. Accuracy in Calculated Solar Used for Hot Water (Q300)	53
10. Monthly Heating and Cooling Loads and Auxiliary Energy Requirement	62
11. Cummulative Energy Use for the MIT Solar House IV During Two Winter Heating Seasons	63
12. Comparison of Collector Panel and System Collector Array Performance	65
13. Illustration of Detecting Collector Degradation from Thermal Performance Measurements	68
14. Global Radiation on Horizontal Surface at Stockholm, Sweden	69

NOMENCLATURE

A_c	Collector aperture area
c_p	Specific heat
COP	Coefficient of Performance
F_R	Collector panel heat removal factor
h_{FG}	Latent heat of vaporization
K	Sampling interval factor
I_T	Total incident solar radiation in plane of array
N	Mass
\dot{m}	Mass flow rate
N	Performance index, number of samples
Q	Cummulative thermal energy
Q_u	Rate of useful energy extraction from collector
T	Temperature
TU or τ	Time
UA	Overall heat transfer coefficient
U_L	Collector heat loss coefficient

GREEK LETTERS

α	Collector panel solar absorptance
$(\alpha\tau)_e$	Effective product of solar absorptance and transmittance of cover and absorber panel
Δ	Difference
η	Efficiency
σ	Sensor or measurment uncertainty, standard deviation
τ_l	Integration time l, etc.
τ	Collector cover transmittance at air mass 2 or time

SUBSCRIPTS

a	Air, ambient
f	Mass flow
f, i	Fluid inlet
I	Insolation
in	Inlet
out	Exit
$\Delta T, TD$	Temperature difference
S	Sampling rate
W	Water, Flow

The International System of Units (SI) used in this document are generally consistent with the International Standard (ISO) 1000-1973-02-01, "SI Units and Recommendations for the Use of Their Multiples and of Certain Other Units." The conversion factors for some common measurements used in solar energy heating and cooling applications are listed for convenience purposes when other units are still customary.

Length

$$1 \text{ mm} = 0.040 \text{ in.}$$

$$1 \text{ cm} = 0.3937 \text{ in.}$$

$$1 \text{ m} = 3.2808 \text{ ft.}$$

Area

$$1 \text{ cm}^2 = 0.1550 \text{ in}^2$$

$$1 \text{ m}^2 = 10.764 \text{ ft}^2$$

Volume

$$1 \text{ cm}^3 = 1 \text{ mL} = 0.061 \text{ in}^3$$

$$1 \text{ m}^3 = 10^3 \text{ L} = 264.2 \text{ gal (U.S. Liquid)}$$

Mass

$$1 \text{ kg} = 35.2858 \text{ ounces (avoirdupois)}$$

$$1 \text{ kg} = 2.2045 \text{ pounds}$$

Pressure or Stress

$$1 \text{ pascal} = 2.9612 \times 10^{-4} \text{ inch of Mercury (60°F)}$$

$$1 \text{ pascal} = 1.4503 \times 10^{-4} \text{ pound-force/inch}^2 \text{ (psi)}$$

Energy

$$1 \text{ joule} = 0.7375 \text{ foot-pound force (ft.·lbf)}$$

$$1 \text{ joule} = 0.9479 \times 10^{-3} \text{ Btu (International Table)}$$

$$1 \text{ Kilowatt-hour} = 3.6 \times 10^6 \text{ joule} = 3.412 \times 10^3 \text{ Btu}$$

Power

$$1 \text{ Watt} = 1 \times 10^7 \text{ erg/second}$$

$$1 \text{ Watt} = 3.412 \text{ Btu/hr}$$

Temperature

$$t_{\circ C} = 5/9 (t_{\circ F} - 32)$$

Heat

$$1 \text{ W/m} \cdot \text{°K} = 6.9306 \text{ Btu} \cdot \text{in/h} \cdot \text{ft}^2 \cdot \text{°F}$$

$$1 \text{ J/kg} \cdot \text{°K} = 2.390 \times 10^{-4} \text{ Btu/lbm} \cdot \text{°F}$$

$$1 \text{ langley} = 4.124 \times 10^4 \text{ J/m}^2 = 1 \text{ cal/cm}^2 = 3.69 \text{ Btu/ft}^2$$

PREFACE

INTERNATIONAL ENERGY AGENCY

In order to strengthen cooperation in the vital area of energy policy, an Agreement on an International Energy Program was formulated among a number of industrialized countries in November 1974. The International Energy Agency (IEA) was established as an autonomous body within the Organization for Economic Cooperation and Development (OECD) to administer that agreement. Nineteen countries are currently members of the IEA, with the Commission of the European Communities participating under a special arrangement.

As one element of the International Energy Program, the participants undertake cooperative activities in energy research, development, and demonstration. A number of new and improved energy technologies which have the potential of making significant contributions to our energy needs were identified for collaborative efforts. The IEA Committee on Energy Research and Development (CRD), assisted by a small Secretariat, coordinates the energy research, development, and demonstration program.

SOLAR HEATING AND COOLING PROGRAM

Solar Heating and Cooling was one of the technologies selected by the IEA for a collaborative effort. The objective was to undertake cooperative research, development, demonstrations and exchanges of information in order to advance the activities of all Participants in the field of solar heating and cooling systems. Several sub-projects or "tasks" were developed in key areas of solar heating and cooling. A formal Implementing Agreement for this Program, covering the contributions, obligations and rights of the Participants, as well as the scope of each task, was prepared and signed by 15 countries and the Commission of the European Communities. The overall program is managed by an Executive Committee, while the management of the sub-projects is the responsibility of Operating Agents who act on behalf of the other Participants.

The tasks of the IEA Solar Heating and Cooling Program and their respective Operating Agents are:

- I. Investigation of the Performance of Solar Heating and Cooling Components -
Technical University of Denmark
- II. Coordination of R & D on Solar Heating and Cooling Components -
Agency of Industrial Science and Technology, Japan
- III. Performance Testing of Solar Collectors -
Kernforschungsanlage Julich, Federal Republic of Germany
- IV. Development of an Insolation Handbook and Instrumentation Package -
United States Department of Energy
- V. Use of Existing Meteorological Information for Solar Energy Application -
Swedish Meteorological and Hydrological Institute

Collaboration in additional areas is likely to be considered as projects are completed or fruitful topics for cooperation identified.

TASK I - INVESTIGATION OF THE PERFORMANCE OF SOLAR HEATING AND COOLING SYSTEMS

In order to effectively assess the performance of solar heating and cooling systems and improve the cost-effectiveness of these systems, the Participants in Task I have undertaken to establish common procedures for predicting, measuring, and reporting the thermal performance of systems and methods for designing economical, optimized systems. The results will be an increased understanding of system design and performance as well as reports and/or recommended formats on each of the task activities.

The subtasks of this project are:

- A. Assessment of modeling and simulation for predicting the performance of solar heating and cooling systems
- B. Development of recommended procedures for measuring system thermal performance
- C. Development of a format for reporting the performance of solar heating and cooling systems
- D. Development of a procedure for designing economical optimized systems
- E. Validation of simulation programs by comparison with measured data.

The Participants in this Task are: Belgium, Denmark, Germany, Italy, Japan, the Netherlands, New Zealand, Spain, Sweden, Switzerland, United Kingdom, United States, and the Commission of the European Communities.

This report documents work carried out under subtask B of this Task. The cooperative work and resulting report is described in the following section.

DATA REQUIREMENTS AND THERMAL PERFORMANCE EVALUATION
PROCEDURES FOR SOLAR HEATING AND COOLING SYSTEMS

1.0 INTRODUCTION

One overall objective of the International Energy Agency's (IEA) Solar Heating and Cooling Project is to increase the cost effectiveness of these systems by establishing cooperation in the calculation, measurement and reporting of system thermal performance. The purpose of this document is to provide standardized nomenclature and procedures which will serve as a guide to monitor and evaluate experimental or demonstration type solar hot water or heated and/or cooled systems. Performance factors, data requirements, measurement parameters and data analysis methods are described for typical solar energy systems.

The thermal performance data obtained from experimental or demonstration projects may serve a variety of users including engineers, architects, manufacturers, contractors, developers, homeowners, code officials and government planners for energy conservation, economic and building technology applications. Therefore, it is intended that the document provide a comprehensive coverage of state-of-the-art technology and the user can select the evaluation factors and monitoring system complexity to satisfy particular interests and needs.

The relatively large possible number of solar systems, auxiliary energy systems and building combinations makes it impractical to precisely define the equations, data requirements and instrumentation for every application. Therefore, it is expected that modifications will be required as dictated by the characteristics of the specific system under evaluation.

The approach used assumes that on-site measurements are used to determine the solar energy system contribution to the heating and/or cooling load, auxiliary energy requirements, building heating and/or cooling load, climatic conditions and comfort level maintained by the system. In addition, the equations and instrumentation for evaluation of critical subsystems such as collector, storage and heat transfer are treated as integral units and may not be evaluated at the component level. Additional field test or laboratory data on critical components for part load performance, heat leaks or thermal losses may be required to conduct diagnostic evaluation of a particular system.

2.0 MEASUREMENT OBJECTIVES

The objectives of the measurement and evaluation program are to provide data which can be utilized by the various users. The following factors are considered to be of the greatest need and interest in the order listed:

1. Determining the savings in fossil fuel and electrical energy resulting from the use of solar energy for space heating, space cooling and/or hot water.*
2. Determining the total heating, cooling and/or HW thermal energy loads and the fraction of each load supplied by solar energy for monthly, seasonal and/or annual periods.
3. Measuring the solar energy system efficiency for converting solar radiation into useful thermal energy for monthly and seasonal or annual periods.
4. Measuring the thermal performance of major subsystems or components and the thermal interactions between collector array, storage and energy conversion equipment.
5. Measuring the occupants use of the system by means of parameters such as the temperature level maintained and hot water demand.
6. Determining the major system operational characteristics and degradation over the life of the demonstration (1 to 5 years).
7. Obtaining records of the incident solar radiation and other pertinent site environmental parameters that could affect the performance of the system over the life of the demonstration.

* The term hot water (HW) as used in this report includes both residential hot water (DHW) and commercial service hot water (SHW). The commercial service hot water may either be potable or nonpotable depending on its intended use.

3.0 PERFORMANCE EVALUATION PROCEDURE

Performance factors and associated data requirements have been classified into three categories. Category one (primary) items are required for a data summary that is considered essential to adequately measure the solar energy system or subsystem thermal effectiveness and determine the energy saved by the solar energy system in comparison with the energy that would have been used by conventional hot water, space heating, or space cooling systems. Without this data, comparative evaluations of different solar energy subsystems and systems would be incomplete or impossible. These primary performance evaluation factors are shown in Table 1 and described in detail in Section 5.0.

Category two (secondary) requirements are for data deemed important and useful in evaluating different subsystems or components. Such data make it easier to understand the component interactions that occur in system operation and serve as an aid in comparative analysis or simulation but are not essential. In general category two data can be determined by appropriate calculations or approximations using category one measurements however in some cases the data can only be obtained by measurements.

An example of a secondary performance factor is the storage efficiency. The average storage medium temperature is the significant parameter in determining the amount of stored energy available. The change of storage medium temperature during a time period with no addition or withdrawal of energy can provide a measure of the storage efficiency. The storage medium temperature is thus very useful but is not unique to the system thermal evaluation.

Category three data are obtained from special measurements which are not particularly essential for current analysis needs, but which serve to define system operational conditions. System operating pressure or component pressure differential are examples of such measurement.

3.1 Standard Designations for Sensors and Subsystems

In order to standardize the performance calculations and identify sensors according to type and location, an alpha-numeric name is provided for each performance factor and sensor. A five character name is used consisting of one or two letters which designate either the sensor type or the measured or calculated quantity and three digit number which identified the subsystems or data group as follows: (designations are shown as either text or computer because of the limitations in using some letters on the computer).

<u>SUBSYSTEM</u>	<u>VARIABLE</u>	<u>DESCRIPTION</u>	<u>DEFINING EQUATION FOR ACTIVE SYSTEM</u>
CLIMATIC	Q001	TOTAL SOLAR INCIDENT	$fI001dr$
	N113	AVG. AMBIENT DB TEMPERATURE	$(1/TI)fT001dr$
	N114	AVG. WIND VELOCITY	$(1/TL)V001dr$
ENERGY COLLECT. AND STORAGE (ECSS)	Q100	SOLAR ENERGY COLLECTED	$(1/Ac)fW100 \cdot C100 \cdot TD100dr$
	N108	STORAGE EFFICIENCY	$f(Q201+Q202)dr/fQ200dr$
	Q203	TOTAL SOLAR ENERGY DELIVERED	$Q300+Q400+Q500$ or $fW400 \cdot C400 \cdot TD401dr$
HOT WATER (HWS)	N111	ECSS CONVERSION EFFICIENCY	$fQ203dr/Ac \cdot fQ001dr$
	Q302	HOT WATER LOAD	$fW301 \cdot C301 \cdot (TD301+TD302)dr$
	N300	SOLAR FRACTION DELIVERED TO HW	$(1/TI)fQ300/Q302dr$
SPACE HEATING (SHS)	Q311	ELECTRIC ENERGY SAVED	Q310-Q309
	Q313	FOSSIL ENERGY SAVED	Q312-Q306
	Q402	SPACE HEATING LOAD	$fW600 \cdot C600 \cdot TD600dr$
SPACE COOLING (SCS)	N400	SOLAR FRACTION DELIVERED TO HEATING	$f(Q405+Q406)dr/fQ402dr$ or $fQ400dr/fQ402dr$
	Q415	ELECTRIC ENERGY SAVED	Q414-Q413
	Q417	FOSSIL ENERGY SAVED	Q416-Q410
BUILDING/ SYSTEM SUMMARY	Q502	SPACE COOLING LOAD	$f[W600 \cdot C600 \cdot TD600+W601 \cdot h_{FG}]dr$
	N500	SOLAR FRACTION DELIVERED TO COOLING	$fQ500dr/fQ506dr$
	Q512	ELECTRIC ENERGY SAVED	Q511-Q510
BUILDING/ SYSTEM SUMMARY	Q514	FOSSIL ENERGY SAVED	Q513-Q508
	N406	AVG. BLDG. DB TEMPERATURE	$(1/TI)fT600dr$
	Q600	TOTAL AUXILIARY ENERGY	Q301+Q401+Q501
	Q601	TOTAL OPERATING ENERGY	Q102+Q303+Q403+Q404+Q503
	Q602	TOTAL ENERGY DELIVERED TO BLDG.	Q302+Q402+Q502
	Q603	TOTAL ENERGY CONSUMED	Q102+Q307+Q411+Q515
	Q604	TOTAL ELECTRIC ENERGY SAVED	Q311+Q415+Q512
	Q605	TOTAL FOSSIL ENERGY SAVED	Q313+Q417+Q514
	N601	SOLAR FRACTION DELIVERED TOTAL LOAD	$f[N300 \cdot Q302+N400 \cdot Q402+N500 \cdot Q502]dr$ $f(Q302+Q402+Q502)dr$
	N602	SYSTEM PERFORMANCE FACTOR	$fQ602dr$ $f[Q306+Q410+Q508+(Q601+Q305+Q409)/NELEC]dr$

TABLE 1 PRIMARY PERFORMANCE EVALUATION FACTORS

Letter Designations

C = Specific Heat (use c_p for text)
D = Direction or Position
EE = Electric Energy
EP = Electric Power
F = Fuel Flow Rate
I = Incident Solar Flux (Insolation) (use ϕ for text)
N = Performance Parameters
P = Pressure
PD = Differential Pressure
Q = Thermal Energy
T = Temperature
TD = Differential Temperature
V = Velocity
W = Heat Transport Medium Mass Flow Rate (use \dot{m} for text)
TI = Time

Subsystem Designations

<u>Number Sequence</u>	<u>Subsystem/Data Group</u>
001 to 009	Climatological
100 to 199	Collector and Heat Transport
200 to 299	Thermal Storage
300 to 399	Hot Water
400 to 499	Space Heating
500 to 599	Space Cooling
600 to 799	Building/Load
800 to 899	Swimming Pool

Thus the sensor designation T101 defines an absolute temperature measurement in the collector subsystem and the variable name Q600 defines a thermal energy measurement or calculation for a building load grouping.

3.2 General Solar System Description and Energy Balance

Prior to discussing the performance evaluation and measurement requirements of solar energy systems, it is useful to describe in general terms the equipment and subsystem that comprise a solar energy system and to describe the flow of thermal energy from the solar equipment, through the energy conversion and distribution equipment to the building. As shown in Figure 1, the basic elements of a solar hot water, space heating and space cooling system include a solar energy collection and storage subsystem (ECSS), an energy conversion and distribution subsystem (ECDS) and the building.

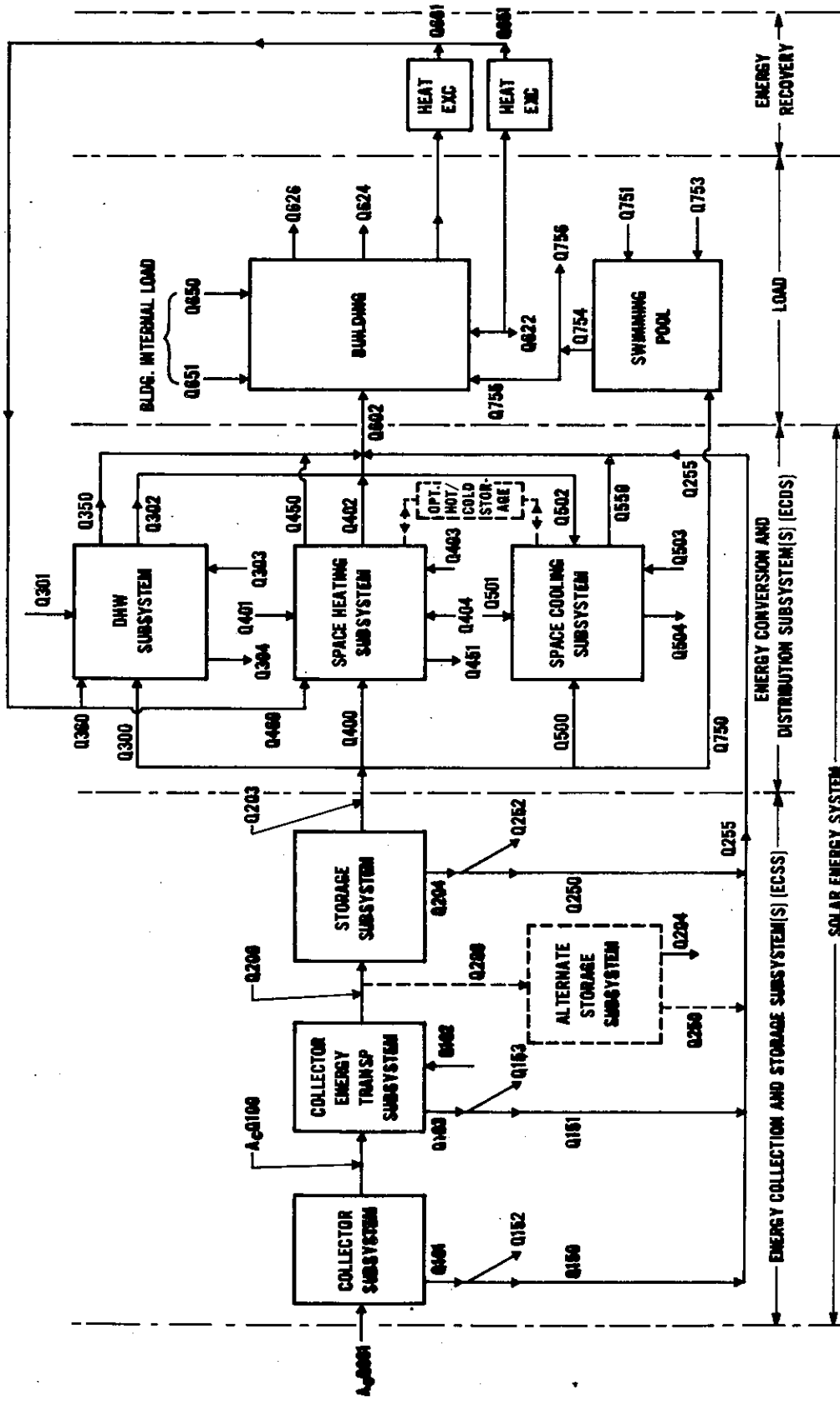


Figure 1 Energy Flow Diagram between Solar Energy Subsystems and Building

3.2.1 Functions

The function of the collector subsystem, collector energy transport subsystem, and storage subsystem (ECSS) is to convert the relatively variable incident solar radiation to a relatively steady source of thermal energy in the form of elevated temperature heat transport fluid or storage medium. This solar source acts as a significant thermal energy source to the building's energy conversion equipment. The major purpose of the ECSS is to reduce the consumption of non-renewable energy sources such as natural gas, oil, and electricity normally used to provide the hot water, heating, and cooling for the building.

The energy conversion and distribution subsystem is comprised of three subsystems to provide the distinct functions of HW heating, space heating and space cooling and utilizes conventional HVAC equipment such as electric or fuel fired heating furnaces, hot water heaters, heat pumps, absorption chillers and their associated pumps, fans, heat exchangers, controls, piping and ductwork. The function of this equipment is to combine the energy available from the solar subsystem with the auxiliary energy available from the conventional energy sources when the supply of solar energy is inadequate, and to convert the solar energy to a useful energy form for the building. To accomplish this conversion and distribution function, additional electrical energy is required to power the pumps, fans, and controls.

The building consists of the various structural elements in which the transfer of thermal energy between the outdoor and indoor environments occurs primarily by the process of conduction, convection, radiation, and infiltration. When the solar heat gain and the structural heat losses and gains are combined with the internal heat gains from the lights, appliances and other equipment and the metabolic heat from the occupants, and these loads are absorbed by the air in the temperature controlled spaces of the building, they comprise the building thermal load. If the HVAC equipment's rate of heat removal or addition to the building is exactly equal to the building thermal load, the air temperature is stabilized and the building is in balance. Figure 1 includes the use of energy recovery devices to provide for the return of waste or excess energy back to the appropriate subsystem. Provisions for the exchange of energy between the building and the solar energy subsystem is also shown. Elevated temperature operation of the ECSS usually results in energy flow to the building as discussed in Section 3.2.2.1 Subsystem Heat Loss.

3.2.2 Thermal Energy Flow

A primary tool which can be used in the location and choice of measurements is the concept of heat balances. For a given component, the amount of energy input must equal the energy output plus the change in stored energy with the component.

This tool can be particularly useful as a check on the installed instrumentation. By obtaining the heat balance periodically on a component or subsystem, evaluation of the losses and accuracy of the installed data instrumentation can be made. Only when the heat balance "error" is no longer within acceptable limits will selected investigation (on the particular subsystem) be required to determine the need for sensor recalibration or subsystem maintenance.

The performance evaluation factors can be defined in terms of the thermal energy quantities shown for the generalized system of Figure 1, in which an arrow leading into a box represents the net flow of a particular thermal energy quantity into a subsystem. The quantities shown represent the integrated rate of thermal energy flow over a sufficient period of time such that thermal storage in each subsystem (with the exception of the storage subsystem) is negligible. For example, in Figure 1 the quantity Q203 represents the net flow of thermal energy out of the ECSS system and into the energy conversion and distribution subsystem. The quantity Q602 represents the net flow of thermal energy between the building and the energy conversion and distribution subsystem; i.e., the total building heat load.

3.2.2.1 Subsystem Heat Loss

Examination of Figure 1 indicates a quantity called "heat loss" (or "heat gain") associated with each subsystem element. This quantity represents the difference between the total energy that originally entered the subsystem and the thermal energy delivered by the subsystem. In most cases, the subsystem heat loss represents thermal energy transferred to the subsystem environment by heat loss through the component insulation.

Depending on the physical location of the component, the subsystem environment can be outside the building either above or below ground or inside the building either in a temperature controlled or a non-controlled space. No further use is made of the heat lost by components located outside the building and above ground. However, the heat lost by components in the other locations can affect the performance of the solar energy system.

For example, with a buried non-insulated storage unit some heat lost to the environment when the storage medium temperature is relatively high may eventually be recovered when the storage medium temperature is low. In addition, for those components located within the building, some or all of the subsystem's heat loss may find its way into the temperature controlled portion of the building which is shown in Figure 1 as a miscellaneous heat loss/heat gain for the building. The entire subsystem heat loss for those components located within a temperature

controlled space will be effective in reducing the building's heat load during the heating season and in increasing the building's cooling load during the cooling season.

In the case of a subsystem having components located in a non-temperature controlled room in a building, the effects of subsystem heat loss on the solar energy system performance are difficult to assess. The heat loss from a storage unit located in an unheated basement will certainly raise the air temperature of the room, which will reduce the heat losses for the heating equipment and increase the heat gains for the cooling equipment located in that room. However, little benefit of the subsystem heat loss will be realized unless specific means are provided to utilize the heat loss to reduce the building heating requirements.

Examination of each subsystem element in Figure 1 reveals the energy quantities that must be either measured or estimated to determine the subsystem heat balance. Subsystem heat loss is probably the most difficult quantity to measure, therefore, it must be determined from the heat balance by measuring or calculating all the other quantities.

In the following description of subsystem equipment measurements and performance evaluation, the basic approach to performance measurement is to instrument all energy flow quantities except subsystem heat loss and to determine this quantity by the energy balance method. Additional instrumentation is recommended for the solar collector subsystem and storage subsystem to enable correlation of heat loss with observed temperature differentials and thus more effectively monitor these important subsystems. It is recognized that this approach to instrumentation may not always be practical, because of other constraints such as sensor cost, reliability and performance, available data channels, etc. When such reductions in measurement are considered, it will be necessary to assess the impact on overall evaluation and accuracy of the stated objectives of performance analysis.

In the subsequent sections describing the performance evaluation of solar energy systems, the performance equations are developed on the basis that subsystem heat loss does not affect the performance of a solar energy system with respect to such primary evaluation factors as energy saved, heating and cooling load, and the solar fraction of the heating and cooling load. However, it is necessary that the heat loss for solar energy transport and storage subsystems located in temperature controlled spaces be determined. When significant losses are calculated, the pertinent equations (energy saved, heating and cooling load, and solar fraction of the heating and cooling load) must be modified to indicate heat loss effects.

4.0 ACTIVE SYSTEM DESCRIPTIONS AND PERFORMANCE CALCULATIONS

The following section describes the flow schematic drawings and instrumentation requirements for several typical solar energy systems, which are used for hot water, space heating and space cooling, to illustrate the methods of evaluating performance. The objectives of this section are to define the various subsystems sufficiently to enable an analyst to convert a site contractor's solar energy system mechanical drawings (showing the equipment, piping, ducting, controls etc.) into the various system, subsystems and components as shown in Figures 2, 3, 4, 5 and 6. The location and type of sensors can then be selected and the performance evaluation equations defined based on the guidelines established herein.

In order to illustrate the sensor locations and performance evaluation factors, the subsystem component configurations shown in Figures 2, 4, 5 and 6 assumed to represent reasonable subsystems that are capable of utilizing solar energy to reduce the consumption of conventional energy. It is recognized that numerous variations on these subsystem and component configurations are possible. It is therefore re-emphasized that the schematic drawings are illustrative only and should not be interpreted as recommendations as to the most efficient means to use solar energy to reduce conventional energy consumption in satisfying the hot water heating and space heating and cooling requirements of buildings.

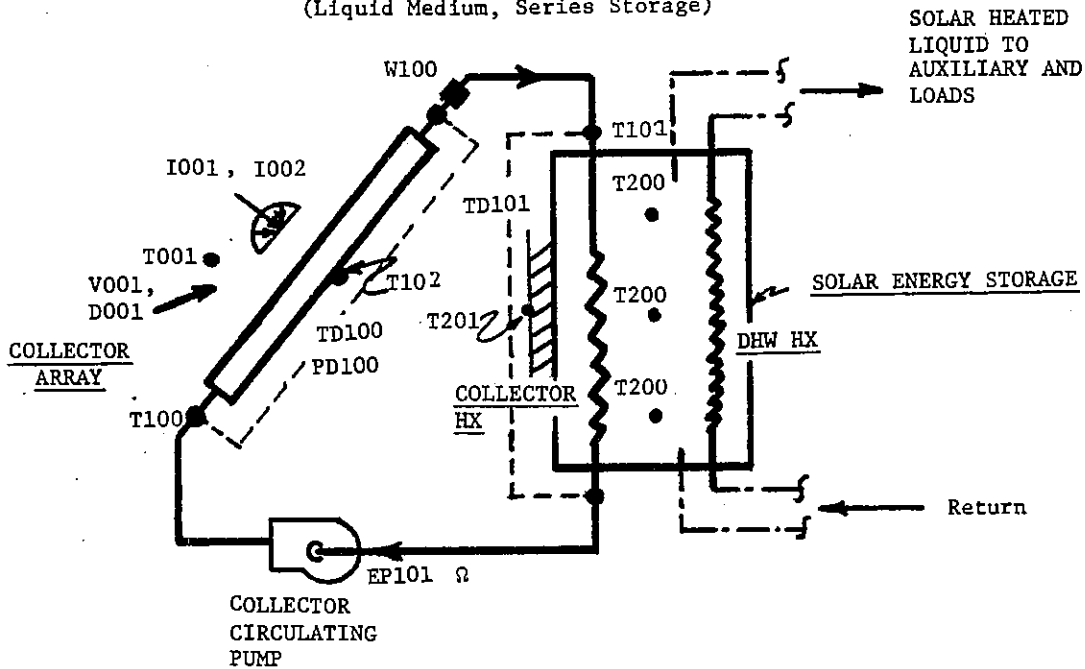
In order to provide some flexibility in the selection of sensors, three different categories of performance evaluation have been defined; primary, secondary and special. Primary factors are deemed mandatory for each system and therefore all sensors used to calculate primary performance factors must be provided. Secondary performance factors are desirable and these data will normally be provided as a fallout of the data provided with the primary sensors, however, whenever additional non-primary sensors are required to calculate a secondary performance factor, the requirement to provide the additional sensor is optional. Special performance factors are calculated from data taken with special sensors, which are provided as determined by the needs of each particular system and site.

4.1 Energy Collection and Storage Subsystem (ECSS)

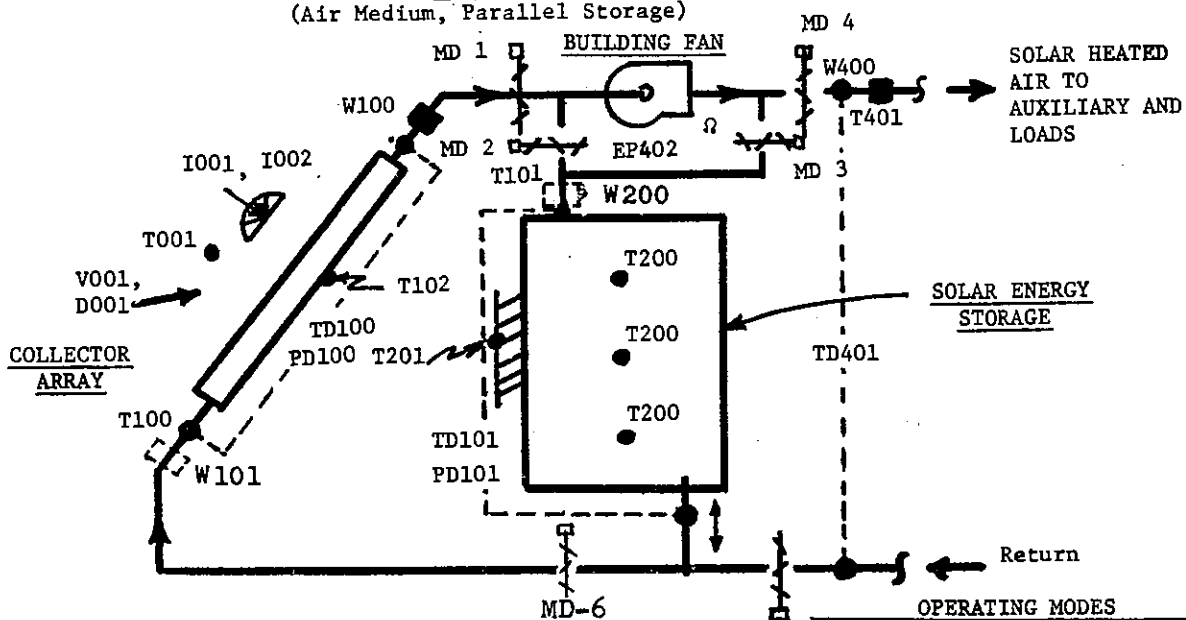
Figure 2 describes the flow schematics, instrumentation and performance calculations required to characterize two alternate energy collection and storage subsystems (ECSS) and to define the required sensor locations and performance evaluation factors.

Subsystem elements common to both systems include a collector subsystem, energy transport subsystem and a storage subsystem. In System A, the heat transfer medium is a liquid and the storage subsystem is in series with the collector subsystem and the energy conversion and distribution subsystem (ECDS), therefore all the

SYSTEM A
(Liquid Medium, Series Storage)



SYSTEM B
(Air Medium, Parallel Storage)



- MEASUREMENTS**
- SOLAR RADIATION
 - TEMPERATURE
 - FLOW
 - WIND VEL. DIRECTION
 - ELEC. POWER

MD NO	OPERATING MODES		
	MODE 1	MODE 2	MODE 3
1	O	O	C
2	C	C	O
3	O	C	C
4	C	O	O
5	C	O	O
6	O	O	C

FIGURE 2 ENERGY COLLECTION AND STORAGE SUBSYSTEMS (ECSS)

CATEGORY	VARIABLE	DESCRIPTION	DEFINING EQUATION
P	Q001	Total Solar Incident	$I_{T00d\tau}$
SM	Q002 ⁽¹⁾	Direct Solar Incident	$I_{T001-I002}d\tau$
S	Q003	Incident Solar During Collection	$I_{T00} d\tau$ (during system operation)
P	Q100	Solar Energy Collected	$(1/A_c)I_{W100} \cdot C_{100} \cdot T_{D100}d\tau$
S	Q101	Collector Heat Loss	$I_{T001} - (1/A_c) (W_{100} \cdot C_{100} \cdot T_{D100})d\tau, W_{100} \neq 0$ $3413 I_{EP101}d\tau, \text{SYSTEM A}$
S	Q102	ECSS Operating Energy ⁽²⁾	$3413 I_{\phi} \cdot EP_{401}d\tau, \text{SYSTEM B}$ $A_c \cdot Q_{100} + NPUMP \cdot Q_{102} - Q_{200}, \text{SYSTEM A}$
S	Q103	Collector Transp. Heat Loss ⁽³⁾	$A_c \cdot Q_{100} + NFAN \cdot Q_{102} - Q_{200}, \text{SYSTEM B/MODE 1}$ $A_c \cdot Q_{100} + NFAN \cdot Q_{102} - Q_{203}, \text{SYSTEM B/MODE 2}$ $Q_{201} + NFAN \cdot Q_{102} - Q_{203}, \text{SYSTEM B/MODE 3}$
S	Q105	Collector Heat Loss to Bldg. Collector Energy Transp. SS Heat	$A_c I_{HF600}d\tau$
S	Q151	Loss to Bldg.	System dependent, determine from Q103
S	Q152	Collector Heat Loss to Environment	$Q_{101} - Q_{150}$
S	Q153	Collector Energy Transp. SS Heat Loss to Environment	System dependent, determine from Q103
S	Q200	Energy to Storage	$I_{W100} \cdot C_{101} \cdot T_{D101}d\tau, \text{SYSTEM A}$ $I_{W100} \cdot C_{101} \cdot T_{D101}d\tau, \text{SYSTEM B/MODE 1}$ $Q, \text{SYSTEM B/MODES 2 \& 3}$ $Q_{300} + Q_{400} + Q_{500}, \text{SYSTEM A}$
S	Q201	Energy from Storage	$0, \text{SYSTEM B/MODES 1 \& 2}$ $I_{W400} \cdot C_{101} \cdot T_{D101}d\tau, \text{SYSTEM B/MODES 3}$
S	Q202	Hourly Increase in Stored Energy	$(MC_p)_s [T_{200}(\tau) - T_{200}(\tau-1)]$ $Q_{300} + Q_{400} + Q_{500}, \text{SYSTEM A}$
P	Q203	Total Solar Energy Utilized	$0, \text{SYSTEM B/MODE 1}$ $I_{W400} \cdot C_{401} \cdot T_{D401}d\tau, \text{SYSTEM B/MODES 2 \& 3}$
S	Q204	Storage Heat Loss	$Q_{200} - (Q_{201} + Q_{202})$
S	Q205	ECSS Total Heat Loss	$Q_{101} + Q_{103} + Q_{204}$
S	Q250	Storage Heat Loss to Bldg	System dependent; determine from Q204
S	Q252	Storage Heat Loss to Environment	System dependent; determine from Q204
S	Q255	ECSS Heat Loss to Bldg	$Q_{150} + Q_{151} + Q_{250}$
S	N100	Daily Integrated Collector Efficiency	$I_{Q100}d\tau / I_{Q001}d\tau$
S	N101	Instant Collector Efficiency	$W_{100} \cdot C_{100} \cdot T_{D100} / A_c \cdot T_{001}, \text{QUASI-STEADY CONDITIONS}^{(4)}$
S	N102	Collector Panel Efficiency Factor	$(1/TI) I_{T001} / [(T_{100} - T_{001} / I_{001})d\tau], \text{QUASI-STEADY CONDITIONS}^{(4)}$
S	N103	Collector Panel Factory $F_R (\tau=)$	COMPUTER SUBROUTINE, QUASI-STEADY CONDITIONS ⁽⁴⁾
S	N104	Collector Panel Factor F_{RUL}	COMPUTER SUBROUTINE, QUASI-STEADY CONDITIONS ⁽⁴⁾
S	N105	Collector Hx Effectiveness	$(1/TI) I_{T_{D101}} / (T_{101} - T_{200})d\tau, W_{100} \neq 0, \text{SYSTEM A}$
S	N106	DHW Hx Effectiveness	$(1/TI) I_{T_{D300}} / (T_{200} - T_{300})d\tau, W_{300} \neq 0, \text{SYSTEM A}$
S	N107	Collector Transp. Efficiency	$(1/TI) I_{T_{Q100-Q103}} / Q_{100}d\tau, W_{100} \neq 0$
S	N110	ECSS Coefficient of Performance	$I_{Q203}d\tau / Q_{102}d\tau$
P	N111	ECSS Conversion Efficiency	$I_{Q203}d\tau / A_c \cdot I_{Q001}d\tau$
S	N112	ECSS Utilization Efficiency	$I_{Q203}d\tau / A_c \cdot I_{Q100}d\tau$
P	N113	Avg. Ambient DB Temperature	$(1/TI) I_{T001}d\tau$
P	N114	Avg. Wind Velocity	$(1/TI) I_{V001}d\tau$
SM	N115	Avg. Wind Direction	$(1/TI) I_{D001}d\tau$
SM	N116	Avg. Collector Pressure Differential	$(1/TI) I_{PD100}d\tau, W_{100} \neq 0$
SM	N117	Avg. Storage Pressure Differential	$(1/TI) I_{PD101}d\tau, \text{SYSTEM B/MODES 1 \& 3}$
P	N208	Storage Efficiency	$I_{Q201+Q202}d\tau / I_{Q200}d\tau$
SM	N209	Storage Heat Loss Parameter	$(1/TI) I_{T200-T201}d\tau$

(P = Primary
S = Secondary
SM = Calculated)

- (1) Provided for concentrating collector only
(2) ϕ = Ratio of Pressure Drop in ECSS to Total Pressure Drop
(3) NPUMP, NFAN = Ratio of pump or fan shaft work to electrical energy input (when pumps or fan is cooled by the working fluid, do not include in Q103)
(4) QUASI-STEADY Conditions occur when I001, T001, T100, W100 are essentially constant for 15 minutes.

Figure 3 Primary and Secondary Performance Factors of Energy Collection and Storage Subsystem (ECSS).

thermal energy collected is transferred through the storage tank before going to the ECDS. In System B, the heat transport medium is air and the storage subsystem is in parallel with the collector subsystem and the ECDS, thus permitting collected solar energy to be transferred to either the storage subsystem or to the load.

In System A, during sunny periods the collector circulation pump circulates the heat transport fluid through the collector array where it is heated by absorbed solar radiation. The absorbed energy is transferred to the storage tank via the collector heat exchanger.

In SYSTEM B a fan combined with five motorized dampers (MDS) permits operation of the system in three different modes. In Mode 1 on a sunny day when there is no demand for space heating, the fan circulates air between the collector and storage unit and thereby temporarily stores thermal energy for future use. In Mode 2 when a demand exists for space heating and there is solar radiation available, the fan circulates air between the collector and the building load. In Mode 3 when a demand exists for space heating and there is insufficient solar radiation available, the fan circulates air between the storage unit and the building load and thus makes available the previously stored thermal energy for space heating. In Modes 2 and 3, whenever the building heating load is not satisfied by the available energy either from the collector or from storage, a final stage of heating is provided by an auxiliary source using conventional fossil fuel or electrical energy.

To obtain data for full evaluation of all performance factors, the sensor types and locations shown in Figure 2 are required. These include the sensors for a local weather station which consists of total (direct plus diffuse) solar radiation at the solar array tilt angle and ambient dry bulb temperature. Wind velocity and direction sensors are provided on certain selected sites as special measurements.

On solar energy systems using concentrating collectors, an additional sensor measuring diffuse radiation is also required. The collector and heat transport subsystems have temperature sensors at the collector array inlet, on the absorber plate of one panel and at the collector heat exchanger inlet in addition to differential temperature sensors across the collector array and collector heat exchanger. The storage subsystem temperatures include the average storage medium and exterior ambient temperatures. Storage subsystems utilizing stratification to improve performance should measure interior temperatures at specific locations rather than average storage medium temperature.

In SYSTEM A, a single mass flow sensor is required to determine the liquid flow rate between the collector and storage subsystems. In SYSTEM B, two mass flow sensors are shown as being required by the solid symbols. One flow sensor measures the air flow rate through the collector and the second sensor measures the air flow rate to the load. The air flow rate to the storage system is determined by the difference in flow rate to the two sensors, assuming negligible air leakage. However, experience to date with air systems has indicated that the extensive of leaks in ducts and dampers can cause significant errors in measuring the system performance. Therefore, additional flow sensors are shown by the dash symbols to account for these leaks from the collector and storage. Operational power measurement is required for the circulating pump of SYSTEM A, or the building fan of SYSTEM B and for the operating controls of both systems. Since the building fan of SYSTEM B also provides the energy to move air through the non-solar equipment and the building, only a portion of this power is charged against the solar energy system. Pressure differential sensors are provided across the collector arrays in both systems and across the storage unit in SYSTEM B as special measurements.

Figure 3 also defines the performance calculations necessary for each type of energy system. As indicated, many of the questions are appropriate for both system types and where different equations are required, the particular system is noted. However, not all active solar systems types to be considered for the demonstration program can be described by the listed equations. In that case, the equations must be written as required, to define the desired performance factors for the specific systems to be evaluated. In addition to the performance calculations noted, several of the calculated quantities are considered of special significance and are categorized as primary performance evaluation factors. These variables will be discussed in greater detail in Section 6.

4.2 Hot Water Subsystem

Figure 4 shows the flow schematic, instrumentation requirements and performance calculations required for the HW subsystem. The subsystem selected for illustration consists of the HW storage tank, circulation pump, auxiliary heat exchanger, piping and controls but does not include the HW heat exchanger which is located within the solar storage tank and is therefore considered a part of the storage subsystem. (Had the HW heat exchanger been located on the outside of the solar storage tank, it would be considered a part of the HW subsystem).

In operation, heat is transferred from the storage subsystem to the HW storage tank by circulating potable water through the HW heat exchanger which is located in the storage tank. Whenever a demand is made for hot water, solar preheated water is

CATEGORY VARIABLE DESCRIPTION DEFINING EQUATION

S	Q300	SOLAR ENERGY DELIVERED TO HW	$\dot{W}_{300} \cdot C_{300} \cdot \Delta T_{300dt}$
S	Q301	AUXILIARY USED FOR HW	$\dot{W}_{301} \cdot C_{302} \cdot \Delta T_{302dt}$
P	Q302	HW LOAD	$\dot{W}_{301} \cdot C_{301} \cdot \Delta T_{301} \cdot \Delta T_{302} dt$
S	Q303	HW OPERATING ENERGY	3413/EP301dt
S	Q304	HW SUBSYSTEM HEAT LOSS	Q300+Q301-Q302+PUMP-Q303
S	Q305	HW ELEC. ENERGY FOR AUXILIARY	3413/EP300dt, ELEC. AUXILIARY ONLY
S	Q306	HW FOSSIL ENERGY FOR AUXILIARY(1)	HVF/F300dt, FOSSIL AUXILIARY ONLY
S	Q307	TOTAL ENERGY CONSUMED	$\left\{ \begin{array}{l} Q300+Q303+Q305, \text{ ELEC. AUXILIARY ONLY} \\ Q300+Q303+Q306, \text{ FOSSIL AUXILIARY ONLY} \end{array} \right.$
S	Q308	HW FRACTION OF ECSS ELEC. ENERGY	Q300/NL10
S	Q309	ELEC. ENERGY USED FOR SOLAR HW	Q303+Q305+Q308
S	Q310	ELEC. ENERGY USED FOR CONV. HW(2)	Q302/NHWE
P	Q311	ELECTRIC ENERGY SAVED	Q310-Q309
S	Q312	FOSSIL ENGY. USED FOR CONV. HW(3)	Q302/NHWF
P	Q313	FOSSIL ENERGY SAVED	Q312-Q306, FOSSIL AUXILIARY ONLY
S	Q350	DHW SS HEATING LOSS TO BLDG	SYSTEM DEPENDENT; SEE Q304
S	Q351	BLDG. HEAT GAIN FROM USED HOT WATER	
S	Q360	ENERGY FROM HEAT RECOVERY SS TO DHW SS	
P	N300	SOLAR FRACTION OF ENERGY DELIVERED	$1/T1/Q300/Q302dt$
S	N301	SOLAR FRACTION OF ENERGY CONSUMED	$\dot{f}_{Q300dt}/\dot{f}_{Q307dt}$
S	N302	SUBSYSTEM PERFORMANCE COEF.	$\dot{f}_{Q302dt}/\dot{f}_{Q307dt}$
S	N303	ELEC. AUX. THERMAL EFFICIENCY	$\dot{f}_{Q301dt}/\dot{f}_{Q305dt}, \text{ ELEC. AUXILIARY ONLY}$
S	N304	FOSSIL AUX. THERMAL EFFICIENCY	$\dot{f}_{Q301dt}/\dot{f}_{Q306dt}, \text{ FOSSIL AUXILIARY ONLY}$
S	N305	AVG. MAKE-UP WATER TEMPERATURE	$(1/T1)/T301dt$
S	N306	AVG. HW PREHEAT TEMPERATURE	$(1/T1)/(T301+\Delta T_{301})dt$
S	N307	AVG. HW LOAD TEMPERATURE	$(1/T1)/T302$
S	N308	AVG. GALLONS HW USED	$0.12/\dot{W}_{301}dt$

P = Primary (1) HVF = HEATING VALUE OF FUEL (BTU/LB)

S = Secondary (2) NHWE = THERMAL EFFICIENCY OF CONV. HW USING ELEC. ENERGY

(3) NHWF = THERMAL EFFICIENCY OF CONV. HW USING FOSSIL ENERGY

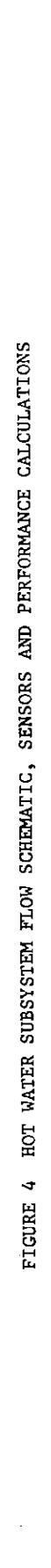


FIGURE 4 HOT WATER SUBSYSTEM FLOW SCHEMATIC, SENSORS AND PERFORMANCE CALCULATIONS

withdrawn from the top of the HW storage tank and replaced by cold make-up water at the bottom. If the temperature of the water leaving the HW tank is insufficient, auxiliary energy is added either electrically or by combustion of fuel to provide the desired HW temperature.

Temperature sensors are located at the HW heat exchanger inlet and at the makeup to the HW storage tank and across the auxiliary heating unit.

Liquid flow measurements are required for the HW circulation loop and for the HW flow to the load. Operating power measurements include electrical energy consumed by the pump and controls. Electrical power or fuel flow rate must be measured depending on the auxiliary energy source.

Figure 4 also lists the performance calculations required for the HW subsystem. A further discussion of the primary performance factors is given in Section 5.

4.3 Space Heating Subsystem

Figure 5 shows the flow schematic, instrumentation requirements and performance calculations for two alternate space heating subsystems using a liquid heat transport medium. In SYSTEM A, an all-electric heating system, a liquid-to-air heat exchanger is located in the air duct as the primary solar heating component, a liquid-to-air heat pump is the secondary solar-heating component and an electric resistance heating coil is the backup auxiliary component which is used when the solar energy storage is depleted. In SYSTEM B, an all fossil fuel heating system, solar heated liquid is passed through a liquid-to-air heat exchanger located in a conventional fan-coil heating unit. Auxiliary energy is provided in the heat transport loop by a conventional gas or oil fired furnace to supplement the solar energy source during peak demand periods or when insufficient solar energy is available. In both systems the building supply air is heated as it flows across the various heat exchangers located in the air duct and this increase in sensible energy represents the amount of heat provided to the space heating load.

In SYSTEM A, four distinct modes of operation are considered, which are numbered in order of increasing electrical energy consumption and therefore decreasing preference. In Mode 1, when the temperature of the storage medium is sufficiently high to carry the building heating load, the two-way

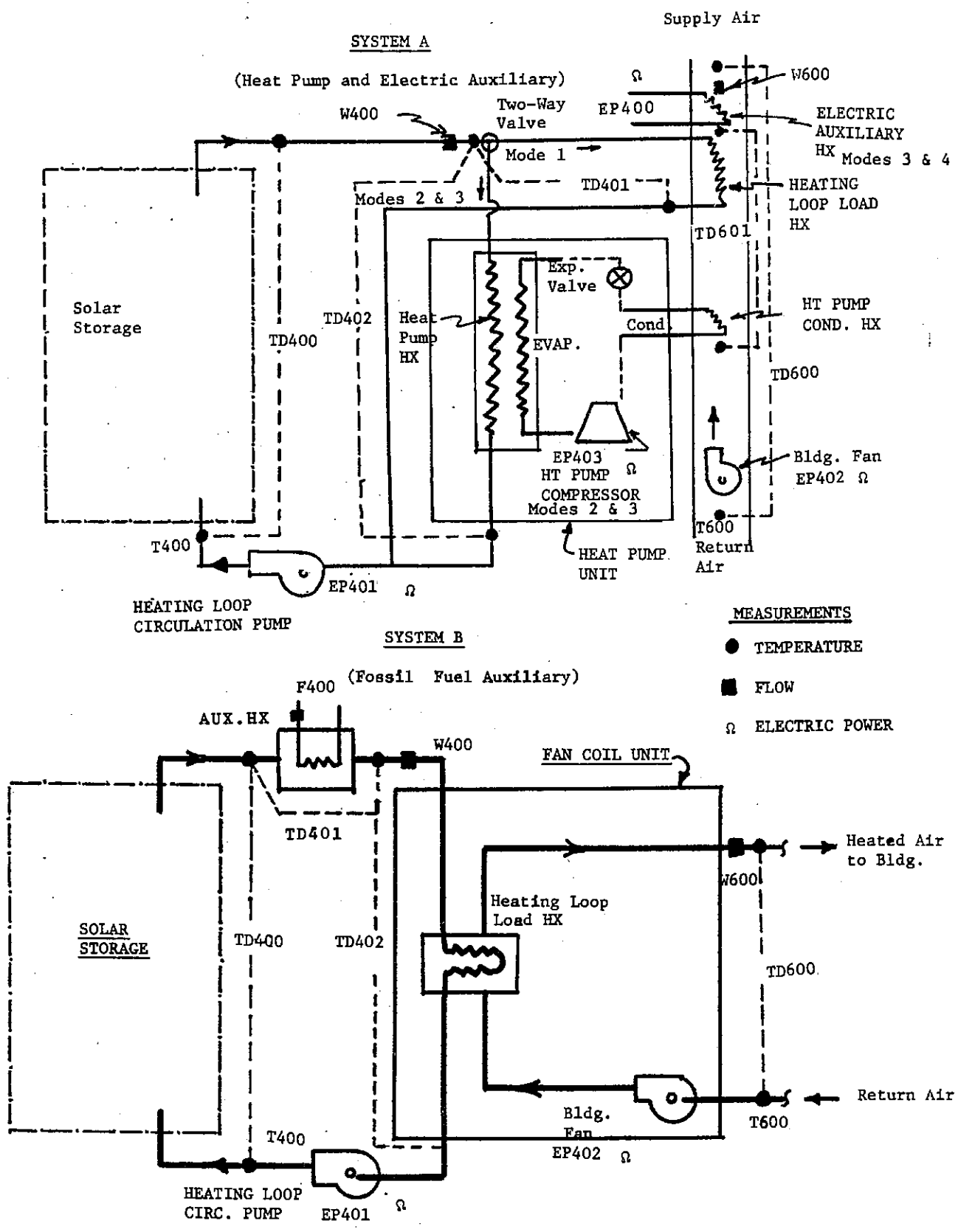


FIGURE 5 SPACE HEATING SUBSYSTEM FLOW SCHEMATICS AND SENSORS

CATEGORY	VARIABLE	DESCRIPTION	DEFINING EQUATION
S	Q400	Solar Energy Delivered to Space Heating	$fW400 \cdot C400 \cdot TD400dt$
S	Q401	Auxiliary for Space Heating	$\left\{ \begin{array}{l} fW600 \cdot C602(TD600-TD601)dt, \text{ SYSTEM A/MODES 3 \& 4} \\ fW400 \cdot C401 \cdot TD401dt, \text{ SYSTEM B} \end{array} \right.$
P	Q402	Space Heating Load	$fW600 \cdot C600 \cdot TD600dt$
S	Q403	Operating Energy	$3413/(EP401+EP402)dt$
S	Q404	Heat Pump Compressor Energy	$3413/EP403dt, \text{ SYSTEM A/MODES 2 \& 3}$
S	Q405	Solar to Heat Pump	$fW400 \cdot C400 \cdot TD402dt, \text{ SYSTEM A/MODES 2 \& 3}$
S	Q406	Solar to Building Air	$fW400 \cdot C401 \cdot TD401dt, \text{ SYSTEM A/MODE 1}$
S	Q407	Heat Pump Load	$fW600 \cdot C601 \cdot TD601dt, \text{ SYSTEM A/MODES 2 \& 3}$
S	Q408	Heating Loop Load	$fW400 \cdot C402 \cdot TD402dt, \text{ SYSTEM B}$
S	Q409	Electric Energy for Aux.	$3413/EP400dt, \text{ SYSTEM A/MODES 3 \& 4}$
S	Q410	Fossil Energy For Aux. (1)	$HVF/F400dt, \text{ SYSTEM B}$
S	Q411	Total Energy Consumed	$\left\{ \begin{array}{l} Q400+Q403, \text{ SYSTEM A/MODE 1} \\ Q400+Q403+Q404, \text{ SYSTEM A/MODE 2} \\ Q400+Q403+Q404+Q409, \text{ SYSTEM A/MODE 3} \\ Q403+Q409, \text{ SYSTEM A/MODE 4} \\ Q400+Q403+Q410, \text{ SYSTEM B} \end{array} \right.$
S	Q412	SHS Fraction of ECSS Elec. Energy	$Q400/N110$
S	Q413	Elec. Engy. for Solar Space Htg.	$\left\{ \begin{array}{l} Q403+Q412, \text{ SYSTEM A/MODE 1} \\ Q403+Q404+Q412, \text{ SYSTEM A/MODE 2} \\ Q403+Q404+Q409+Q412, \text{ SYSTEM A/MODE 3} \\ Q403+Q409, \text{ SYSTEM A/MODE 4} \\ Q403+Q412, \text{ SYSTEM B} \end{array} \right.$
S	Q414	Elec. Engy. for Conv. Space Htg. (2)	$Q402/NHTE$
P	Q415	Elec. Energy Saved	$Q414-Q413$
S	Q416	Fossil Engy. for Conv. Space Htg. (3)	$Q402/NHTF, \text{ SYSTEM B}$
P	Q417	Fossil Engy. Saved	$Q416-Q410, \text{ SYSTEM B}$
S	Q450	SRS Heat Loss to Bldg.	System Dependent
S	Q451	SRS Heat Loss to Environmental	System Dependent
S	Q460	ENERGY FROM HEAT RECOVERY SS TO SHS	
P	N400	Solar Fraction of Energy Delivered to Space Heating	$\left\{ \begin{array}{l} f(Q405+Q406)dt/fQ402, \text{ SYSTEM A} \\ fQ400dt/fQ402dt, \text{ SYSTEM B} \end{array} \right.$
S	N401	Solar Fraction of Energy Consumed	$fQ400dt/fQ411dt$
S	N402	SRS Coefficient of Performance	$fQ402dt/f(Q403+Q404+Q409)dt, \text{ SYSTEM A}$
S	N403	Heat Pump Coefficient of Perf.	$fQ407dt/f(Q403+Q404)dt, \text{ SYSTEM A/MODES 2 \& 3}$
S	N404	Elec. Aux. Thermal Efficiency	$fQ401dt/fQ409dt, \text{ SYSTEM A/MODES 3 \& 4}$
S	N405	Fossil Aux. Thermal Efficiency	$fQ401dt/fQ410dt, \text{ SYSTEM B}$
P	N406	Avg. Bldg. DB Temp.	$(1/II)T600dt$
S	N407	Avg. Bldg. Supply Air DB Temp.	$(1/II)f(T600+TD600)dt$

(1) HVF = Heating Value of Fuel

(2) NHTE = Thermal Efficiency of Conventional Electric Heating Unit

(3) NHTF = Thermal Efficiency of Conventional Fossil Fuel Heating Unit

P = Primary

S = Secondary

FIGURE 5a PRIMARY AND SECONDARY PERFORMANCE FACTORS FOR SPACE HEATING SUBSYSTEMS

valve directs the flow of solar heated liquid to the heating loop load heat exchanger. If the temperature of the solar heated liquid is insufficient to carry the building load, Mode 2 operation is initiated in which the two-way valve diverts the heating loop flow to the heat pump's evaporator heat exchanger and the heat pump is turned on. This mode uses solar energy indirectly in that the solar heated liquid is used to increase the heat pump's Coefficient of Performance (COP) and thus reduce the consumption of electrical energy required to carry the building heating load. In Mode 3, the heat pump's heating capacity is augmented by the electric resistance heaters in the air duct and in Mode 4 the heat pump and heating loop circulation pump are off and the entire building heating load is carried by the electric resistance heaters.

Figure 5 shows the measurements required for the space heating subsystem. Absolute temperature sensors are located at the heating loop inlet to the solar storage subsystem and at the building return air duct inlet to the heat pump or fan coil unit. Differential temperature sensors are located in the heating loop across the solar storage subsystem, across the heat pump heat exchanger in SYSTEM A and across the heating loop load heat exchanger. A differential temperature sensor is required in the building air loop to sense the dry-bulb temperature difference between the building air supply and return and in SYSTEM A to sense temperature difference across the combined heat pump condenser heat exchanger and the electric auxiliary coil. A liquid mass flow sensor is located in the heating loop and an air mass flow sensor is located in the building air flow circuit. Operating power measurements are required for the heating loop pump, building fan and controls for both systems, and for the heat pump compressor of SYSTEM A. Auxiliary energy consumption, using an electric meter for SYSTEM A and a fuel flow sensor for SYSTEM B are also required.

The performance calculations required for the space heating subsystem are also listed in Figure 5. The primary performance evaluation factors used to characterize the operation of the subsystem are further described in Section 5.

4.4 Space Cooling Subsystem

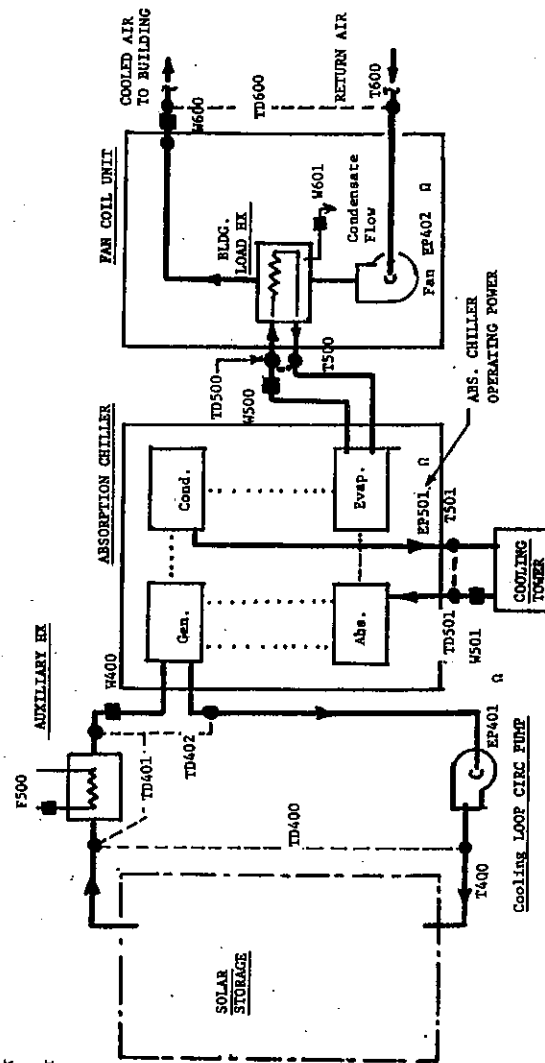
Figure 6 shows the flow schematic, instrumentation requirements and detailed performance calculations for the space cooling subsystem using a thermal energy actuated absorption chiller as the cooling component. In operation, the solar heated liquid from storage is circulated through the absorption chiller's generator by way of the auxiliary heat exchanger and this provides the required thermal energy source.

PRIORITY	VARIABLE	DESCRIPTION	DEFINING EQUATION
S	Q500	SOLAR ENERGY DELIVERED TO SPACE COOLING	$\dot{W}_{400} \cdot C_{400} \cdot TD_{400} dt$
S	Q501	AUXILIARY FOR SPACE COOLING	$\dot{W}_{400} \cdot C_{401} \cdot TD_{401} dt$
P	Q502	SPACE COOLING LOAD (1)	$[(\dot{W}_{600} \cdot C_{600} \cdot TD_{600}) + (\dot{W}_{601} \cdot h_{fg})] dt$
S	Q503	TOTAL OPERATING ENERGY	$3413 / (\dot{E}_{P401} + \dot{E}_{P402} + \dot{E}_{P501}) dt$
S	Q504	SCS HEAT REJECTION	$\dot{W}_{4501} \cdot C_{501} \cdot TD_{501} dt$
S	Q505	ABS. CHILLER OPER. ENERGY	$3413 / \dot{E}_{P501} dt$
S	Q506	ABS. CHILLER THERMAL INPUT	$\dot{W}_{4400} \cdot C_{402} \cdot TD_{402} dt$
S	Q507	ABS. CHILLER LOAD	$\dot{W}_{500} \cdot C_{500} \cdot TD_{500} dt$
S	Q508	FOSSIL ENERGY FOR AUXILIARY (2)	$HVF / F_{500} dt$
S	Q509	SP. CLG. FRACT. OF SOLAR ELEC. ENGY.	Q_{500} / \dot{N}_{110}
S	Q510	ELEC. ENGY. FOR SOLAR SP. CLG.	$Q_{503} + Q_{509}$
S	Q511	ELEC. ENGY. FOR CONV. SP. CLG. (3)	$(Q_{502}) / \text{NCLE}$
P	Q512	ELECTRIC ENERGY SAVED	$Q_{511} - Q_{510}$
S	Q513	FOSSIL ENGY. FOR CONV. SP. CLG. (4)	Q_{502} / NCLE
P	Q514	FOSSIL ENERGY SAVED	$Q_{513} - Q_{508}$
S	Q515	TOTAL ENERGY CONSUMED	$Q_{500} + Q_{503} + Q_{508}$
S	Q550	SCS HEAT LOSS TO BLDG	$\dot{Q}_{500} dt / \dot{Q}_{506} dt$
P	N500	SOLAR FRACTION ENERGY DELIVERED TO COOLING LOAD	$\dot{Q}_{500} dt / \dot{Q}_{515} dt$
S	N501	SOLAR FRACTION OF ENERGY CONSUMED	$\dot{Q}_{500} dt / \dot{Q}_{515} dt$
S	N502	SUBSYSTEM COEF. OF PERFORMANCE	$\dot{Q}_{502} dt / \dot{Q}_{515} dt$
S	N503	ABS. CHILLER COEF. OF PERFORMANCE	$\dot{Q}_{507} dt / \dot{Q}_{506} dt$
S	N504	AUXILIARY THERMAL EFFICIENCY	$\dot{Q}_{501} dt / \dot{Q}_{506} dt$
P	N505	AVG. BUILDING DB TEMPERATURE	$(1/TT) / T_{660} dt$
S	N506	AVG. DB TEMPERATURE TO BUILDING	$(1/TT) / (T_{660} + TD_{600}) dt$

- \dot{Q} h_{fg} = LATENT HEAT OF VAPORIZATION (BTU/LB)
 (2) HVF = FUEL HEATING VALUE (BTU/LB)
 (3) NCLE = EFFICIENCY OF CONVENTIONAL COOLING UNIT USING ELECTRICAL ENERGY
 (4) NCLE = EFFICIENCY OF CONVENTIONAL COOLING UNIT USING THERMAL ENERGY

P = Primary

S = Secondary



MEASUREMENTS

- TEMPERATURE
- FLOW
- ELECTRIC POWER

FIGURE 6 SPACE COOLING SUBSYSTEM FLOW SCHEMATIC, SENSORS AND PERFORMANCE CALCULATIONS

The absorption chiller's useful thermal output consists of the energy indirectly removed from the building air using an intermediate heat transfer fluid (chilled water or brine) which is pumped through the evaporator. The heat rejection required by the absorption thermodynamic cycle is provided by another intermediate heat transfer fluid (water) which absorbs heat in passing through the absorber and the condenser sections and then rejects this heat to ambient air via a cooling tower. The energy removed from the building air flowing over the load heat exchanger represents the space cooling load. Since most space cooling applications include both sensible cooling and dehumidification processes, it is important to account for the removal of water vapor from the building air in determining the building's cooling load.

Figure 6 shows the measurements required to fully evaluate performance of a solar assisted space cooling subsystem. The temperature, flow and power sensors for the heating loop and fan coil unit are identical to those previously described for the system B configuration space heating subsystem. Additional temperature and flow sensors are required to measure absorption chiller heat rejection and building air dehumidification. Building air dehumidification is determined using a modified rain gauge to determine the rate of condensation at the building load heat exchanger. An additional power sensor is required to measure the operating power of the various pumps, fans and controls used in the absorption chiller.

In measuring wet-bulb temperature (or alternatively measuring relative humidity) it is recognized that the relative high expense and reduced accuracy of the commercially available sensors may not be justified, particularly for the residential portion of the demonstration program. Alternatively, the building cooling load could be defined as the energy added to the chilled water circulating between the absorption chiller and load heat exchanger at the load heat exchanger. This approach does not account for the energy gains in the fan coil unit but does eliminate the requirement for the condensate measurement. Measurement of the alternative building cooling load at the absorption chiller requires coolant mass flow and inlet temperature to the load heat exchanger and temperature difference across the load heat exchanger.

Figure 6 also lists the performance calculations required for the space cooling subsystem and the primary items which characterize the operation of the subsystem and are reported in the overall performance summary. These items are further discussed in Section 5.

4.5 Solar Energy System/Building Performance Factors

Figure 7 illustrates the energy flows in terms of heat gains or losses to the building from the various subsystems, heat recovery devices and the exterior or interior environment. The associated primary and secondary factors used to evaluate the heating or cooling system/building performance are listed in Table 2.

Direct measurement of the energy flows may not be possible or practical and the performance evaluation will be dependent upon indirect determination from energy balance calculations. Factors such as air infiltration, venting and metabolic heat release from occupants may be obtained by special measurements over short time period and then correlated with climatic conditions or occupancy profiles. The temperature and humidity in non-air conditioned rooms responding to randomly fluctuating outdoor climatic conditions can be obtained from hourly simulation of heat gain, heat storage and climate using algorithms published by ASHRAE (2).

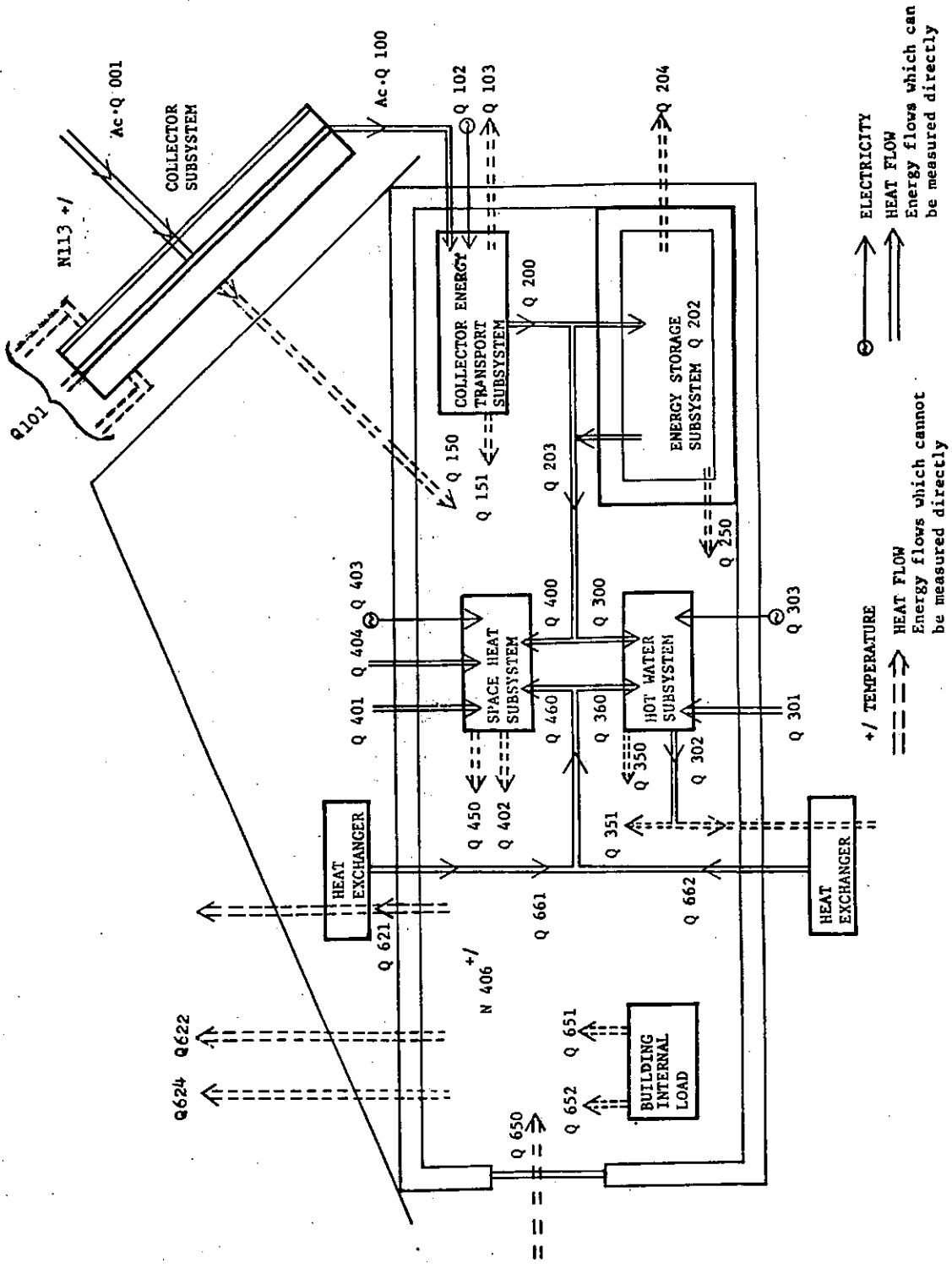


Figure 7 Energy flow diagram showing the relation between the installed systems and the building (the system shown includes heat exchangers and a heat pump).

<u>PRIORITY</u>	<u>VARIABLE</u>	<u>DESCRIPTION</u>	<u>DEFINING EQUATION</u>	
P	Q600	Total Auxiliary Energy	$Q301+Q401+ Q501$	
P	Q601	Total Operating Energy	$Q102+Q303+Q403+Q503$	
P	Q602	Total Energy Delivered to Bldg.	$Q255+Q350+Q351$ $+Q450+Q550+Q302+Q402$	
P	Q603	Total Energy Consumed	$Q102+Q307+Q411+Q515$	
P	Q604	Total Electric Energy Saved	$Q311+Q415+Q512$	
P	Q605	Total Fossil Energy Saved	$Q313+Q417+Q514$	
S	Q621	Building Mechanical Equip. Heat Loss	System Dependent (can be measured or calculated)	
S	Q622	Building Infiltration Heat Loss or Gain	↓	
S	Q624	Building Transmission Heat Loss or Gain		
S	Q625	Solar Energy Gain through Windows		
S	Q626	Energy Loss Through Windows		
S	Q650	Energy from Lighting and Appliances		
S	Q651	Metabolic Heat Load		
S	Q652	Energy Recovered from Exhaust Air		
S	Q661	Energy Recovered from Waste Water		
S	Q662	Avg. Bldg. DB Temperature (hourly)		
P	N601	Solar Fraction of Delivered to Total Load		$(I/IT)JT600d\tau$ $\frac{\int [N300 \cdot Q302 + N400 \cdot Q402 + N500 \cdot Q502] d\tau}{\int (Q302 + Q402 + Q502) d\tau}$
P	N602	System Performance Factor		$\frac{\int Q602 d\tau}{\int [Q306 + Q410 + Q508 + (Q601 + Q305 + Q409) / NELEC] d\tau}$
S	N700	Space Dry Bulb Temp. (avg.)		$(1/IT)JT600d\tau$
S	N701	Space Maximum Temperature		$T_1(\tau)_{\max} @ T_1'(\tau) = 0 \& T_1''(\tau) < 0$
S	N702	Space Minimum Temperature		$T_1(\tau)_{\min} @ T_1(\tau) = 0 \& T_1''(\tau) > 0$
P	N703	Space Mean Radiant Temp. (avg.)		$(1/IT)JT_{MRT} d\tau$
S	N704	Space Relative Humidity (avg.)	$(1/IT)JRH_1 d\tau$	
S	N705	Space Effective Temp. (avg.)	$ET^* = ET (T_{in}, RH_{in}, T_r)$	
S	Q800	Solar Energy Delivered to Swimming Pool (SP)	System Dependent (similar to DHW instrumentation)	
S	Q801	Auxiliary for SP	↓	
S	Q802	SP Load		
S	Q803	SP Heat Loss		
S	Q854	Total Heat Loss		
S	Q855	SP Heat Loss to Bldg.		
S	Q856	SP Heat Loss to Environment		
S	N800	SP Temperature (avg.)		

TABLE 2 SUMMARY OF BUILDING/SYSTEM PERFORMANCE EVALUATION FACTORS

5. SYSTEMS PERFORMANCE EVALUATION SUMMARY

As indicated in Figures 3 to 6, numerous calculations are performed for the elements comprising a system, subsystem or for the individual components in the solar assisted heating and cooling system. As previously described, performance evaluation factors are classified into three categories, primary, secondary and special. The primary performance evaluation factors are listed in Table 1 and consist of those evaluation factors that summarize the performance of each subsystem, the solar energy system, the building and climate and the utilization of the solar energy system by the occupant. The secondary performance evaluation factors include the detailed performance of the solar collectors, storage tanks, heat exchangers and other solar energy components as well as the components of the conventional HVAC equipment used such as hot water heaters, furnaces, heat pumps and other energy conversion equipment. Special evaluation factors include those calculations performed using data from certain optional sensors such as the diffuse pyranometer or the collector absorber panel temperature.

This section will describe each term of the primary system performance evaluation summary to clearly define the terminology and calculation method. In addition, some of the more important terms of the secondary and special performance calculations are described.

5.1 Performance Factors - General

Two types of performance factors are indicated in Table 1; a thermal energy quantity defined by the letter "Q", and a performance index defined by the letter "N".

5.1.1 Performance Factors Based on Thermal Energy Quantity

In the evaluation of the net thermal energy flow into or out of a subsystem, the general expression for energy addition to a fluid flowing through a subsystem or component is determined by integrating the measured instantaneous rate of heat addition as follows:

$$Q = \int_{t_1}^{t_2} \dot{m} c_p (T_{out} - T_{in}) dt \quad (5.1)$$

where \dot{m} is the fluid mass flow rate in LB/HR,

c_p is the fluid specific heat at constant pressure in J/kg-K (BTU/LB °F),

$T_{out} - T_{in}$ is the fluid temperature rise in the subsystem or component in °C and τ_1, τ_2 are the initial and final times of the integration period.

In general, both T_{out} and T_{in} are functions of time, m is a function of both time and temperature and c_p is a function of temperature; therefore, evaluation of Equation (5.1) usually involves a numerical integration procedure in which the total time interval is broken down into subintervals that are sufficiently small so that during the subinterval each variable in the integrand can be considered constant.

Ideally continuous data measurement is desired, however, in the actual data acquisition system the sensors are scanned at periodic intervals and the instantaneous measured values are used to evaluate equation (5.1). Changes in the variables between data scans are not determined and errors are introduced into the calculated results. Section 5 describes these errors due to data sampling and presents the results of a study of sampling errors based on data from one of the solar demonstration houses at the Colorado State University [3].

In general, for all thermal energy quantities the smallest integration period desired will be one hour, with additional integration periods to provide cumulative daily, monthly, and seasonal or annual data.

5.1.2 Performance Indices

In the evaluation of a performance index which depends on the ratio of two thermal quantities such as the energy conversion efficiency, the index N is given by:

$$N = \frac{\int_{\tau_1}^{\tau_2} Q_1 dt}{\int_{\tau_1}^{\tau_2} Q_2 dt} \quad (5.2)$$

In this equation Q_1 and Q_2 are hourly thermal energy quantities calculated by Equation (5.1). For meaningful results the integration times must be sufficiently long, not only to preclude division by zero, but to assure that a true average value is obtained. Thus, the performance index calculations involving the ratio of thermal energy quantities may require evaluation on a daily, monthly, or annual basis using hourly values of the thermal energy quantity.

Other performance indices such as average temperature are determined by integrating the measured temperature and dividing by the integration period as follows:

$$N = \frac{1}{TI} \int_{\tau_1}^{\tau_2} T_1 d\tau \quad (5.3)$$

where T_1 is the actual temperature measurement,

τ_1 and τ_2 are the initial and final times of the integration period and

$TI = \tau_2 - \tau_1$ represents the total time period over which the average temperature is evaluated.

The minimum integration period varies depending on the particular temperature. For example, outdoor dry bulb temperature would be desired for hourly, daily and monthly periods whereas storage tank ambient temperature might be evaluated on a monthly basis.

5.2 Energy Saved - General

Since the energy sources for both conventional and solar assisted heating and cooling include different energy types such as gas, oil or electrical, it is important to distinguish between at least the fossil sources and the electrical sources. It is conceivable that when a conventional system is replaced with a solar system, the solar system could require more electrical energy to run (due to operating power for the solar pumps, fans or controls) than the conventional system; however, the solar system should significantly reduce the consumption of fossil energy. Due to the difference in energy costs in various parts of the country, the same solar system and same type building in different locations may have wide variance in the cost effectiveness or payback period.

The basic approach to determining the energy saved is to first measure the total electrical energy and the total fossil fuel energy consumed by the solar assisted system to provide a given building energy demands at a given occupant utilization level. An assessment of a non-solar system must then be made to determine the type of equipment that would be provided if there were no solar equipment.

Since available performance data of energy conversion equipment are usually based on measurements taken at a design condition for steady state equipment operation, the effects of off-design operation and duty cycling on equipment performance must be estimated to improve the accuracy of the predicted energy consumption. Alternatively, equipment performance based on seasonal efficiency rather than design point efficiency should be used. The electrical energy

and fossil energy consumption of the non-solar system must then be calculated assuming some equipment performance coefficients and operating efficiencies based on the same building load and occupancy utilization that was measured for the solar system. The energy saved is then the difference between the calculated value of energy consumed by the non-solar system and the measured value of energy consumed by the solar system. In reporting these results, the assumed non-solar system must be described as well as the assumed performance characteristics and efficiencies.

5.3 Climatic Primary Performance Factors

5.3.1 Total Solar Energy Incident (Q001,Q002*)

Total incident solar radiation is measured by a sensor mounted in the plane of the collector array on either a continuously integrated or frequently sampled basis. Data are recorded at specified intervals for use in the calculation of collector and system efficiencies. For those solar energy systems having a significant dependence on direct solar radiation (such as concentrating collectors), diffuse insolation will also be measured independently with a separate sensor located in the plane of the collector array and the direct component of incident solar radiation is determined by subtraction of diffuse from the total incident solar radiation. The total and direct integrated values of incident solar radiation are calculated by integrating the instantaneous values as follows:

$$Q001 = \int_{\tau_1}^{\tau_2} I001 \, d\tau \quad (5.4)$$

$$Q002* = \int_{\tau_1}^{\tau_2} (I001 - I002) \, d\tau \quad (5.5)$$

Where I001 and I002 are the instantaneous values of incident total solar radiation and diffuse solar radiation respectively, and τ_1 , τ_2 are the integrating time intervals.

Q002* is not identified as a primary performance factor in Table 1 however, its importance for certain solar collectors warrants inclusion as a special measurement for some active and passive solar energy systems.

5.3.2 Average Ambient Dry Bulb Temperature (N113)

Average outdoor dry bulb temperature is a significant parameter in determination of system performance and comparison of alternate solar energy systems in different climatic regions. It is obtained by integration of the instantaneous ambient dry bulb temperatures as follows:

$$N113 = \frac{1}{TI} \int_{\tau_1}^{\tau_2} T001 \, d\tau \quad (5.6)$$

where T001 is the instantaneous dry bulb temperature, and TI is the integration period $\tau_2 - \tau_1$.

N113 is obtained for the hourly, daily and monthly data summaries.

5.4 Energy Collection and Storage Subsystem (ECSS) Primary Performance Factors

The primary performance factors are based on the ECSS shown in Figure 2.

5.4.1 Solar Energy Collected (Q100)

The amount of solar energy collected in a given time period is obtained by evaluating Equation 5.1 using the appropriate sensors in the ECSS as follows:

$$Q100 = \frac{1}{A_c} \int_{\tau_1}^{\tau_2} W100 \cdot C100 \cdot TD100 \, d\tau \quad (5.7)$$

Where A_c is the total collector area defined by the aperture dimensions of the collector array,*

W100 = Collector array fluid mass flow rate,

C100 = Specific heat of collector fluid,

TD100 = Fluid temperature increase across the collector array.

Additional data may be required to correct the fluid specific heat of temperature, concentration, etc.

5.4.2 Total Solar Energy Delivered (Q300, Q400, Q500, Q203)

For the demonstration program, solar energy is used in as many as three applications; i.e., hot water heating, space heating, and space cooling. For each application,

* Solar collector test procedure [4] rates flat plate collector performance on gross frontal area instead of aperture area, therefore, thermal comparison of results will require adjustment by appropriate area ratio.

Equation (5.1) is evaluated using the appropriate measurements in the HW loop and in the heating or cooling loop. Since some of the measurements used for the heating and cooling calculations are the same, additional information must be supplied (such as the operating status of the absorption unit) to determine whether the calculation pertains to heating or cooling. The following equations are used to calculate each component for the ECSS using a liquid heat transfer medium (SYSTEM A in Figure 2):

5.4.2.1 Solar Energy Delivered Hot Water

$$Q300 = \int_{\tau_1}^{\tau_2} W300 \cdot C301 \cdot TD301 \, d\tau \quad (5.8)$$

5.4.2.2 Solar Energy Delivered to Space Heating

$$Q400 = \int_{\tau_1}^{\tau_2} W400 \cdot C400 \cdot TD400 \, d\tau \quad (5.9)$$

5.4.2.3 Solar Energy Delivered to Space Cooling

$$Q500 = \int_{\tau_1}^{\tau_2} W400 \cdot C400 \cdot TD400 \, d\tau \quad (5.10)$$

5.4.2.4 Total Solar Energy Delivered (Liquid Heat Transfer Medium)

The total solar energy utilized is the sum of the solar energy used in each application and is given by:

$$Q203 = Q300 + Q400 + Q500 \quad (5.11)$$

5.4.2.5 Total Solar Energy Delivered (Air Heat Transfer Medium)

For the ECSS using air as the heat transfer medium (SYSTEM B in Figure 2), the total solar energy delivered is given by:

$$Q203 = \int_{\tau_1}^{\tau_2} W400 \cdot C401 \cdot TD401 \, d\tau \quad (5.12)$$

5.4.3 ECSS Conversion Efficiency (N111)

The ratio of total solar energy actually utilized to the total solar energy incident on the collector array is termed the solar subsystem conversion

efficiency and is a measure of the ability of the ECSS to convert incident solar radiation into useful thermal energy. ECSS conversion efficiency is calculated by:

$$N111 = \int_{\tau_1}^{\tau_2} Q203 \, d\tau / A_c \int_{\tau_1}^{\tau_2} Q001 \, d\tau \quad (5.13)$$

Because of the solar energy storage time dependence, ECSS conversion efficiency (N111) should be determined only for the monthly, seasonal and annual data summary.

5.5 Hot Water Subsystem (HWS) Primary Performance Factors

5.5.1 Hot Water Load (Q302)

The total thermal energy required for heating HW from the inlet (makeup) to delivery temperature is given by:

$$Q302 = \int_{\tau_1}^{\tau_2} W301 \cdot C301 \cdot (TD301 + TD302) \, d\tau \quad (5.14)$$

The HW load (Q302) should be obtained for the hourly, daily, monthly and annual data summary.

5.5.2 Solar Fraction Energy Delivered to the HW Load (N300)

The solar fraction of the energy delivered to the HW load is calculated by:

$$N300 = \frac{Q300}{Q302} = \int_{\tau_1}^{\tau_2} \frac{W300 \cdot C300 \cdot TD300}{W301 \cdot C301 \cdot (TD301 + TD302)} \, d\tau, \quad W301 \neq 0 \quad (5.15)$$

where TD301 and TD302 are the temperature differences across the HW storage tank and auxiliary heat exchangers, respectively, when there is flow to the HW load ($W301 \neq 0$).

This parameter should be evaluated on a daily, monthly and annual basis.

5.5.3 HW Electrical Energy Saved (Q301)

The measured electrical energy used by the HW subsystem of Figure 4 is given by:

$$Q309 = Q303 + Q305 + Q308 \quad (5.16)$$

where Q303 is the energy required to operate the circulation pump, Q305 is the energy input to the auxiliary heater (Q305=0 for a fossil auxiliary), and Q308 is the HW fraction of the ECSS operating energy.

The calculated electrical energy required to operate a conventional hot water subsystem is given by:

$$Q310 = Q302/NHWE \quad (5.17)$$

where Q302 is the hot water load previously described, and NHWE is the thermal efficiency of a conventional HW subsystem using electricity as an energy source.

The electrical energy saved is the difference between the calculated electrical energy to operate a conventional system having the same source and delivery temperature and usage rate as the solar energy system and the measured electrical energy required to operate the solar energy system as follows:

$$Q311 = Q310 - Q309 \quad (5.18)$$

If a negative value is obtained for Q311 this implies that the particular solar HWS consumes more electrical energy than the assumed conventional system it is replacing.

5.5.4 HW Fossil Energy Saved (Q313)

The fossil energy used by the solar HWS is calculated in the following manner:

$$Q306 = HVF \int_{\tau_1}^{\tau_2} F300 \, d\tau \quad (5.19)$$

where HVF is the fuel heating value in J/kg (BTU/LB) and F300 is the measured mass flow rate of fuel to the auxiliary in kg/HR (LB/HR).

The fossil fuel energy required to operate a conventional HWS is calculated from;

$$Q312 = Q302/NHWF \quad (5.20)$$

where Q302 is the HW load and NHWF is the thermal efficiency of a conventional HW system using fossil fuel as an energy source.

The fossil fuel energy saved is the difference between the calculated fossil energy required to operate a conventional HW system and the measured fossil energy required to operate a solar energy system as follows:

$$Q313 = Q312 - Q306 \quad (5.21)$$

5.6 Space Heating Subsystem (SHS) Primary Performance Factors

The primary performance factors are based on the SHS shown in Figure 5.

5.6.1 Space Heating Load (Q402)

The space heating load is the sensible energy added to the air in the building and is given by:

$$Q402 = \int_{\tau_1}^{\tau_2} W600 \cdot C600 \cdot TD600 \, d\tau \quad (5.22)$$

where W600 is the building air flow rate,

C600 is the specific heat,

and TD600 is the temperature rise of the air flow across all the heat exchangers in the air handling unit.

The space heating load should be determined for the hourly, monthly and seasonal data summary.

5.6.2 Solar Fraction of Energy Delivered to the Space Heating Load (N400)

The solar fraction of the energy delivered to the space heating load for SHS comprised of a heat pump and electric auxiliary (SYSTEM A) is given by:

$$N400 = \frac{\int_{\tau_1}^{\tau_2} (Q406 + Q407) \, d\tau}{\int_{\tau_1}^{\tau_2} Q402 \, d\tau} \quad (5.23)$$

where Q406 is the energy delivered to the heating loop load heat exchanger in mode 1,

and Q407 is the energy delivered to the heat pump evaporator in modes 2 and 3.

The solar fraction of the energy delivered to the space heating load for the SHS comprised of the fossil fuel auxiliary (SYSTEM B) is given by:

$$N400 = \frac{\int_{\tau_1}^{\tau_2} Q400 \, d\tau}{\int_{\tau_1}^{\tau_2} Q402 \, d\tau} \quad (5.24)$$

where Q400 is the energy delivered to the heating loop load heat exchanger,

and Q402 is the space heating load previously described.

This parameter should be determined for the daily, monthly and seasonal data summary.

5.6.3 Space Heating Electrical Energy Saved (Q415)

The electrical energy used by the heat pump system shown as system A in Figure

5 is given by:

$$Q413 = Q403 + Q404 + Q409 + Q412 \quad (5.25)$$

where Q403 is the energy consumed by the heating loop circulation pump, building fan and all controls,

Q404 is the energy to operate the heat pump compressor,

Q409 is the energy to the electric auxiliary heat exchanger and

Q412 is the SHS fraction of the ECSS operating energy.

The electrical energy consumed by a non-solar heat pump heating system is given by:

$$Q414 = Q402/NHTE \quad (5.26)$$

where Q402 is the measured space heating load,

and NHTE is a modified coefficient of performance of the non-solar heat pump system which as defined in reference [2] includes

electrical energy required to operate the compressor, supply fan, return fan, outdoor air fan and HVAC control circuit.

The modifications to the equipment COP include the supplemental energy required for defrosting and auxiliary heating and the reduction in performance due to cyclic operation at off design conditions. Reference [6] presents data describing off-design heat pump performance and the discrepancy between manufacturers performance data and measured performance primarily due to defrosting requirements.

The electrical energy saved is therefore the difference between the calculated electrical energy required to operate a conventional heating system and the measured electrical energy required to operate the solar energy system as follows:

$$Q415 = Q414 - Q413 \quad (5.27)$$

5.6.4 Space Heating Fossil Energy Saved (Q417)

The fossil energy saved by an all electric-heating system is obviously zero, therefore, to illustrate this calculation, the fossil energy used by the alternate SYSTEM B is given by:

$$Q410 = HVF \int_{T_1}^{T_2} F400 dt \quad (5.28)$$

where HVF is the heating value of the fuel,

and F400 is the mass flow rate of fuel consumed by the auxiliary.

The fossil-energy consumed by a non-solar heating system must be calculated for the measured load conditions based on the performance characteristics and/or component efficiencies of the equipment as follows:

$$Q416 = Q402/NHTF \quad (5.29)$$

where Q_{402} is the space heating load and,
 $NHTF$ is the assumed thermal efficiency of the equipment.

The fuel energy saved is given by the difference between the calculated fossil energy consumption of the non-solar heating system and the measured fossil energy consumption of the solar energy system as follows:

$$Q_{417} = Q_{416} - Q_{410} \quad (5.30)$$

5.7 Space Cooling Subsystem (SCS) Primary Performance Factors

The primary performance factors of the space cooling subsystem are based on the SCS shown schematically in Figure 6.

5.7.1 Space Cooling Load (Q_{502})

The space cooling load is the total heat, including sensible and latent, removed from the air in the building and is given by:

$$Q_{502} = \int_{\tau_1}^{\tau_2} [W_{600} \cdot C_{600} \cdot TD_{600} + W_{601} \cdot h_{FG}] d\tau \quad (5.31)$$

where W_{600} is the building supply air flow rate,
 TD_{600} is the temperature differential across the fan-coil unit,
 W_{601} is the flow rate of condensed water vapor from the cooling coil,
and h_{FG} is the latent heat of vaporization of the condensate.

Alternatively if air side measurements are not practical, the space cooling load can be approximated from Q_{507} shown in Figure 6 which is the measured absorption chiller load.

5.7.2 Solar Fraction of Energy Delivered to the Space Cooling Load (N_{500})

The solar fraction of the energy delivered to the space cooling load is given by:

$$N_{500} = \frac{\int_{\tau_1}^{\tau_2} Q_{500} d\tau}{\int_{\tau_1}^{\tau_2} Q_{506} d\tau} \quad (5.32)$$

where Q_{500} is the solar energy delivered to the SCS,
and Q_{506} is the total thermal energy delivered to the absorption chiller generator consisting of solar and auxiliary thermal energy.

This parameter should be determined for the daily, monthly and seasonal data summary.

5.7.3 Space Cooling Electrical Energy Saved

The electrical energy used by the solar assisted space cooling subsystem is given by:

$$Q510 = Q503 + Q509 \quad (5.33)$$

where Q503 is the cooling subsystem operating energy including power for the heating loop circulation pump, building fan, absorption unit pumps, cooling tower fans and all subsystem controls, and Q509 is the space cooling subsystem fraction of the ECSS electrical energy consumption.

The electrical energy consumed by a non-solar cooling system must be calculated for the measured load conditions, source and sink temperatures using the appropriate conversion efficiency as follows:

$$Q511 = Q502/NCLF \quad (5.34)$$

where Q502 is the measured cooling load, and NCLF is the electrical efficiency of the non-solar cooling equipment.

The electrical energy saved is the difference between the calculated electric energy consumption of the conventional cooling system and the measured electric energy consumption of the solar energy system as follows:

$$Q512 = Q511 - Q510 \quad (5.35)$$

5.7.4 Space Cooling Fuel Energy Saved (Q514)

The fossil fuel energy used by the solar space cooling subsystem is given by:

$$Q508 = HVF \int_{\tau_1}^{\tau_2} F500 \, dt \quad (5.36)$$

where F500 is the fuel mass flow rate to the auxiliary unit, and HVF is the heating value of the fuel.

The fuel energy consumed by a non-solar cooling subsystem must be calculated for the measured load conditions based on the component performance characteristics and/or efficiency as follows:

$$Q513 = Q502/NCLF \quad (5.37)$$

where Q502 is the measured space cooling load,
and NCLF is the thermal efficiency of the non-solar equipment.

The fossil fuel energy saved is given by the difference in the calculated fossil energy consumption of the non-solar cooling system and the measured fossil energy consumption of the solar energy system as follows:

$$Q514 = Q513 - Q508 \quad (5.38)$$

5.8 Solar Energy System/Building Summary

The following primary performance factors summarize the performance of the overall solar energy system and the building.

5.8.1 Average Building Dry Bulb Air Temperature (N40)

Average building temperature is an occupant utilization parameter that will have a strong influence on system performance for both heating and/or cooling and is therefore useful for comparison of alternate systems. Average dry bulb temperature should be evaluated as follows:

$$N406 = \frac{1}{TI} \int_{\tau_1}^{\tau_2} T600 \, d\tau \quad (5.39)$$

where T600 is the measured building air dry bulb temperature.

This parameter should be determined for the hourly, daily, monthly and seasonal data summary. Variations in this parameter can also be used as a measure of system's ability to provide thermal comfort.

5.8.2 Total Auxiliary Energy (Q301, Q302, Q303, Q600)

Auxiliary energy is required for HW, space heating and space cooling whenever the solar system is not capable of meeting the demand. The amount of auxiliary energy required is determined using the same basic approach described in Section 6.4.2 for solar energy utilized and is calculated as follows:

5.8.2.1 Auxiliary Used for HW

$$Q301 = \int_{\tau_1}^{\tau_2} W301 \cdot C302 \cdot TD302 \, d\tau \quad (5.40)$$

5.8.2.2 Auxiliary Used for Space Heating

For SYSTEM A of Figure 5, the auxiliary energy used for space heating is given by:

$$Q_{401} = \int_{\tau_1}^{\tau_2} W_{600} \cdot C_{602} (TD_{600} - TD_{601}) dt \quad (5.41a)$$

For SYSTEM B of Figure 5, the auxiliary energy used for space heating is given by:

$$Q_{401} = \int_{\tau_1}^{\tau_2} W_{400} \cdot C_{401} \cdot TD_{401} dt \quad (5.41b)$$

5.8.2.3 Auxiliary Used for Space Cooling

$$Q_{501} = \int_{\tau_1}^{\tau_2} W_{400} \cdot C_{401} \cdot TD_{401} dt \quad (5.42)$$

5.8.2.4 Total Auxiliary Energy Utilized

The total auxiliary energy utilized is the sum of the auxiliary energy used for each application and is given by:

$$Q_{600} = Q_{301} + Q_{401} + Q_{501} \quad (5.43)$$

Total auxiliary energy should be determined for hourly, daily, monthly and seasonal/annual data summary.

5.8.3 Total Operating Energy (Q601)

The total operating energy is the thermal equivalent of the electrical energy required to run the pumps, fans, compressors and controls but excludes the electrical energy used for auxiliary heating purposes. The total operating energy is composed of the individual components as follows:

$$Q_{601} = Q_{102} + Q_{303} + Q_{403} + Q_{503} \quad (5.44)$$

where Q₁₀₂ is the solar subsystem operating energy defined in Figure 3,
Q₃₀₃ is the HW operating energy defined in Figure 4,
Q₄₀₃ is the space heating operating energy defined in Figure 5,
Q₄₀₄ is the heat pump compressor energy defined in Figure 5,
Q₅₀₃ is the space cooling operating energy defined in Figure 6.

Total operating energy should be determined for the hourly, daily, monthly and seasonal/annual data summary.

5.8.4 Total Energy Delivered to Building Load (Q602)

The total building energy load is the sum of the HW load, the space heating load and space cooling loads previously defined, and is calculated by:

$$Q602 = Q302 + Q402 + Q502 \quad (5.45)$$

The total building energy load should be determined for the hourly, daily, monthly, seasonal/annual data summary.

5.8.5 Total Energy Consumed (Q603)

Total energy consumption consists of the total solar, fossil and electric energy consumed by all of the subsystems as follows:

$$Q603 = Q102 + Q307 + Q411 + Q515 \quad (5.46)$$

where Q102 is the ECSS operating energy.

Q307 is the HWS total energy consumption defined in Figure 4,

Q411 is the SHS total energy consumption defined in Figure 5,

and Q515 is the SCS total energy consumption defined in Figure 6.

Total energy consumed should be determined for the hourly, daily, monthly and seasonal/annual data summary.

5.8.6 Total Electric Energy Saved (Q604)

The total electric energy saved is given by:

$$Q604 = Q311 + Q415 + Q512 \quad (5.47)$$

where Q311, Q415 and Q512 are the electric energies saved for HW, space heating and space cooling, respectively.

5.8.7 Total Fossil Energy Saved (Q605)

The total fuel energy saved is given by:

$$Q605 = Q313 + Q417 + Q514 \quad (5.48)$$

where Q313, Q417 and Q514 are the fossil fuel energies saved for HW, space heating and space cooling respectively.

Energy saved should be determined for the hourly, daily, monthly and seasonal/annual data summary.

5.8.8 Solar Fraction of Energy Delivered to the Building Load (N601)

The solar fraction of the energy delivered to the building load is determined by averaging the solar fractions of the individual subsystem loads as follows:

$$N601 = \frac{\int_{\tau_1}^{\tau_2} [N300 \cdot Q302 + N400 \cdot Q402 + N500 \cdot Q502] d\tau}{\int_{\tau_1}^{\tau_2} [Q302 + Q402 + Q502] d\tau} \quad (5.49)$$

where N300, N400 and N500 are the solar fractions, respectively, of the energy delivered to the HW load, heating load and cooling load, and Q302, Q402, Q502 are, respectively, the HW load, heating load and cooling load.

5.8.9 System Performance Factor (N602)

The ratio of the total energy delivered to the building load to the total equivalent fossil fuel energy expended is defined to be the system performance factor and is calculated as follows:

$$N602 = \frac{\int_{\tau_1}^{\tau_2} Q602 d\tau}{\int_{\tau_1}^{\tau_2} [Q306 + Q410 + Q508 + \frac{Q601 + Q305 + Q409}{NELEC}] d\tau} \quad (5.50)$$

where Q306, Q410 and Q508 are the fossil fuel energies consumed, respectively, for the HW, space heating and space cooling auxiliaries, Q305 and Q409 are the electrical energies consumed respectively for the HW and space heating auxiliaries,

NELEC is the overall thermal efficiency for conversion of fossil energy at the power plant to electrical energy at the building.

The system performance factor should be determined for the daily, monthly and seasonal/annual data summary.

5.9 Secondary Performance Factors and Measurements

In addition to the primary system performance factors described in Section 5.3 to 5.8, certain secondary performance evaluation factors for the ECSS and ECDS are of sufficient importance to warrant further discussion.

5.9.1 Daily Integrated Collector Efficiency (N100)

The ratio of the daily integrated solar energy collected by the array to the daily integrated total solar energy incident on the array is termed the daily integrated collector efficiency and is a measure of the ability of the solar collector to convert daily incident solar radiation into thermal energy available either immediately or for storage and subsequent use thereof to support the building thermal energy load. Daily integrated collector efficiency is calculated by:

$$N100 = \frac{\int_{\tau_1}^{\tau_2} Q_{100} d\tau}{\int_{\tau_1}^{\tau_2} Q_{001} d\tau} \quad (5.51)$$

where the numerator represents the total thermal energy collected per day for one square meter of collector and the denominator represents the total solar radiation incident on one square meter of collector per day.

5.9.2 Collector Array Instantaneous Performance (N101, N102, N103, N104)

The performance of a flat plate collector operating under steady state conditions can be described by the following equation:

$$\frac{Q_u}{A_c} = F_R [(I_T) (\tau^\alpha)_e - U_L (T_f - T_a)] \quad (5.52)$$

where Q_u = rate of useful energy extraction from the collector
 A_c = collector area, aperture
 F_R = Actual useful energy collected
 useful energy collected if the entire
 collector were at the fluid temperature
 I_T = total incident solar radiation
 $(\tau^\alpha)_e$ = effective transmission absorptance product of collector
 U_L = heat transfer loss coefficient for the collector
 T_f = fluid temperature
 T_a = ambient air temperature

Defining the solar collector efficiency as the ratio of useful energy extracted from the collector to the total solar radiation incident, equation (5.52) is rearranged to give collector efficiency as follows:

$$N101 = F_R [(\tau^\alpha)_e - U_L \frac{T_f - T_a}{I_T}] \quad (5.53)$$

A plot of equation (5.53) as a function of $(T_f - T_a)/I_T$ for a range of operating conditions yields a first or second order curve with the y axis intercept equal to $F_R (\tau \alpha)_e$ and slope equal to $F_R U_L$.

If an individual collector panel is instrumented the same as the collector array with inlet and exit temperatures and flow rate monitored, or if the entire collector array is co-planer, then by evaluating the two factors $F_R (\tau \alpha)_e$ and $F_R U_L$ over the life of the demonstration, degradation of the array due to changes in the $\tau \alpha$ product or U_L (heat transfer loss coefficient) will be revealed.

Meaningful efficiency measurements are obtained when essentially steady state is achieved for the previous 15 minutes (three data scans, if the scan occurs every five minutes). The following measurements should be constant:

- T001 (ambient dry bulb air temperature)
- T100 (array fluid temperature)
- W100 (array flow rate)
- I001 (total incident solar radiation)

Other constraints for the procedure as obtained from reference (4) are to limit the calculation to times during which the angle between the sun and the collector array normal is less than 30° degrees and the total incident solar radiation is greater than 630 w/m^2 (200 BTU/hrft^2). If all the above constraints are satisfied, then data taken at the last data scan are used to calculate the following performance indices.

5.9.2.1 Instantaneous Collector Array Efficiency (N101)

$$N101 = \frac{W100 \cdot C100 \cdot TD100}{A_c \cdot I001} \quad (5.54)$$

5.9.2.2 Collector Panel Efficiency Factor (N102)

$$N102 = (T100 - T001) / I001 \quad (5.55)$$

5.9.2.3 Collector Panel Factors (N103, N104)

The newly calculated values of the parameters N101 and N102 are used together

with previously calculated values of N101 and N102 using the previously described slope/intercept linear curve fit and new values of the collector panel factors N103 and N104 are obtained, where:

$$N103 = F_R (\tau^\alpha)_e \quad (5.56)$$

and,

$$N104 = F_{R,U_L} \quad (5.57)$$

The above described procedure should be performed at the start of each hour until a data scan occurs which satisfies all specified constraints. For that scan, the calculated values of N101, N102, N103 and N104 are reported in the hourly data summary and no further scans are required for the remainder of the hour. At the start of the next hour the procedure is repeated.

5.9.3 Collector Heat Exchanger Effectiveness (N105)

For the ECSS where the thermal capacitance of the storage container is much greater than the flow capacitance of the collector loop, the collector heat exchanger effectiveness is given by:

$$N105 = \frac{1}{TI} \int_{\tau_1}^{\tau_2} (TD101)/(T101-T200) d\tau \quad (5.58)$$

Evaluation of collector heat exchanger effectiveness can be done on a monthly and annual basis.

5.9.4 HW Heat Exchanger Effectiveness (N106)

The hot water heat exchanger effectiveness is determined as follows:

$$N300 = \frac{1}{TI} \int_{\tau_1}^{\tau_2} (TD300)/(T200-T300) d\tau \quad (5.59)$$

Due to the requirement for double walled heat exchangers to prevent any possible contamination of potable water with non-potable water, the HW heat exchangers may present a substantial thermal resistance to heat transfer and thereby reduce the amount of solar energy available. Any tendency for fouling of the heat exchangers would be revealed by changes in the calculated values of heat exchanger effectiveness.

5.9.5 Storage Subsystem Efficiency (N108, N109)

The storage subsystem efficiency is defined as the ratio of the sum of the output of stored thermal energy and the increase in stored thermal energy to the input of thermal energy to storage as follows:

$$N108 = \frac{\int_{\tau_1}^{\tau_2} (Q201 + Q202) d\tau}{\int_{\tau_1}^{\tau_2} Q200 d\tau} \quad (5.60)$$

where Q201 is the hourly output of thermal energy from the storage device,
 Q202 is the hourly increase in stored energy,
 and Q200 is the hourly input of thermal energy to the storage device.

The normal source of thermal energy input to storage is from the solar energy collectors, however, other thermal energy sources, such as off-peak auxiliary energy must also be included. Where more than one storage container is used, individual evaluation is required.

Storage efficiency is related to the subsystem heat losses which may be either deliberate (such as the dumping of energy to ambient) or non-deliberate due to air leakage or insulation losses. Heat loss through insulation is related to the following parameter:

$$N109 = \frac{1}{TI} \int_{\tau_1}^{\tau_2} (T200 - T201) d\tau \quad (5.61)$$

where T200 is the average storage medium temperature, and
 T201 is the ambient temperature surrounding the storage container.

Evaluation of these parameters (N108 and N109) should be performed for the monthly and seasonal/annual data summary.

5.9.6 Average HW Load Temperature (N307)

The average HW delivery temperature to the load is a significant parameter in the comparison of alternate HW solar systems, in that this temperature is controlled by the occupants and subsystem performance will depend on the actual control point setting.

$$N307 = \frac{1}{TI} \int_{\tau_1}^{\tau_2} (T301 + TD301 + TD302) d\tau \quad (5.62)$$

where T301 is the make-up water temperature,
 TD301 is the temperature difference across the hot water storage,
 and TD302 is the temperature difference across the HW auxiliary
 heat exchanger.

5.9.7 Average Gallons HW Consumed (N308)

The time of day at which hot water is used and the total daily consumption are significant parameters in evaluating performance and comparison of alternate HW solar systems. The average HW consumption in liters is given by:

$$N308 = 1/3600 \int_{\tau_1}^{\tau_2} W301 d\tau \quad (5.63)$$

where W301 is the measured flow rate in kg/s and $\tau_2 - \tau_1 = 1$ hour

The HW consumption should be determined for the hourly, daily, monthly and annual data summary.

5.9.8 Energy Conversion Equipment Coefficient of Performance

Energy conversion equipment uses electrical or thermal energy to raise heat from a low temperature source to a higher temperature sink and is rated by the ratio of the useful heat transferred to the energy input. Useful heat transferred consists of heat delivered to the sink in the heating mode and heat extracted from the source in the cooling mode.

5.9.8.1 Space Heating Equipment COP (N404)

Measurement of the Coefficient of Performance (COP) is desired for energy conversion equipment such as heat pumps in which the useful thermal energy delivered to the building is significantly greater than the electrical energy consumed. Referring to the heat pump system shown as SYSTEM A in Figure 5, Space Heating COP is calculated from:

$$N404 = \int_{\tau_1}^{\tau_2} Q407 d\tau / \int_{\tau_1}^{\tau_2} (Q403 + Q404) d\tau \quad (5.64)$$

where Q407 is the useful thermal energy added to the building supply air from the heat pump,
 Q403 is the electrical energy required to operate the SHS pumps, fans and controls,

Q404 is the electrical energy required to operate the heat pump compressor.

This parameter should be determined for the daily, monthly and seasonal data summary.

5.9.8.2 Space Cooling Equipment COP (N503)

Measurements of the Coefficient of Performance (COP) are desired for thermally actuated equipment such as the absorption chiller for Figure 6 and for other equipment such as solar assisted Rankine Cycle equipment or dessicant dehumidification systems as appropriate.

Referring to the absorption chiller shown in Figure 6, the Coefficient of Performance is calculated as:

$$N503 = \int_{\tau_1}^{\tau_2} \frac{Q507}{Q506} d\tau \quad (5.65)$$

where Q507 is the useful thermal output of the absorption chiller as defined in Figure 6,
and Q506 is the thermal energy input to the absorption chiller as defined in Figure 6.

5.9.9 Space Comfort

The space comfort can be characterized in several ways depending upon the instrumentation complexity and the methods of heat distribution or removal. The space average dry bulb temperature N600 is commonly used as a measure of comfort level and is a significant parameter in evaluating building energy use and energy saved.

5.9.9.1 Space Mean Radiant Temperature (N702)

The space mean radiant temperature is defined as the temperature of a uniform black enclosure in which a solid body or occupant would exchange the same amount of radiant heat as in the existing non-uniform environment. It is expressed by:

$$N702 = (1/4\pi) \int T_{mrt}^4 d\tau \quad \text{or} \quad (1/4\pi) \int \frac{\sum_{r=1}^n A_r \cdot T_r^4}{\sum_{r=1}^n A_r} d\tau$$

where A_r = area of surface, r

T_r = temperature of surface, r

6.0

UNCERTAINTY ANALYSIS OF SOLAR PERFORMANCE FACTORS

The uncertainty of determining the performance evaluation factors for a particular solar energy system/building/climate combination is related to the data requirement accuracy for sensor signal conditioning, data acquisition sampling rate and data processing method. Non-instrumentation variables such as building heating or cooling load, occupancy, conventional heating and air conditioning equipment operation and meteorological parameters must also be considered when comparing the performance of solar energy systems in different buildings or climatic regions.

To establish acceptable tolerances in the performance evaluation factors, the contribution of sensor accuracy and sampling rate error to the total performance factor uncertainty must be derived and set in perspective by comparison with the pertinent non-instrumentation sources of the performance factor uncertainty. The approach, rationale and sensitivity analysis for several performance factors are described in the following sections:

- ° Sensitivity Analysis Methods
- ° Specific Error Analysis
- ° Overall Instrumentation Errors
- ° Recommended Sampling Rates and Data Requirement Accuracies

6.1

Sensitivity Analysis Methods

Two methods are in general use for combining precision errors in measuring several variables to estimate the error in a calculated function of those variables. The particular method used depends on whether the component errors are considered to be absolute limits or statistical bounds (such as 3σ limits) the form of the relationship between the variables and the calculated function, and the specification of component errors (percent of reading or absolute in terms of measured units).

6.1.1

Absolute Limits

If the component precision errors are considered to be absolute limits and a functional relationship exists such that

$$T = f(x,y,z) \quad (6.1)$$

The component errors in x , y , and z are Δx , Δy and Δz respectively, and $f(x,y,z)$ is expanded in a Taylor series; then:

$$f(x + \Delta x, y + \Delta y, z + \Delta z) = f(x, y, z) + \frac{\partial f \Delta x}{\partial x} + \frac{\partial f \Delta y}{\partial y} + \frac{\partial f \Delta z}{\partial z} + 1/2 \left[\frac{\partial^2 f \Delta^2 x}{\partial x^2} + \frac{\partial^2 f \Delta^2 y}{\partial y^2} + \frac{\partial^2 f \Delta^2 z}{\partial z^2} \right] + \dots \quad (6.2)$$

Neglecting the second order and larger terms because Δx , Δy , Δz are assumed small (~1%), the total measurement error is:

$$\Delta f = \left| \frac{\partial f}{\partial x} \Delta x \right| + \left| \frac{\partial f}{\partial y} \Delta y \right| + \left| \frac{\partial f}{\partial z} \Delta z \right| \quad (6.3)$$

In the general case for a function R (a function of any number of variables) the error can be expressed as:

$$\Delta R = \sum_{i=1}^n \left| \frac{\partial R}{\partial X_i} \Delta X_i \right| \quad (6.4)$$

6.1.2 Statistical Bounds

In the absence of a function relating the component error sources, a general equation can be used to find the measurement error. If the measurement is defined by $R(X_1, X_2, \dots, X_n)$, where R is the desired measurement and $\Delta X_1, \dots, \Delta X_n$ are the individual error sources, the following equation can be used:

$$\Delta R = \left[\sum_{i=1}^n \left(\frac{\partial R}{\partial X_i} \Delta X_i \right)^2 \right]^{1/2} \quad (6.5)$$

This equation assumes that the errors are random and uncorrelated. The precision errors will be expressed as $\pm \Delta X$. As a probable error in either of the two cases (functional or non-functional relationship), the true value of R will be between $R - \Delta R$ and $R + \Delta R$ for some percentage of all readings. The percentage involved depends upon the error expressions used for the component errors.

6.1.3 Error Analysis - Daily Integrated Collector Array Efficiency

An error analysis of the calculations of daily integrated collector array efficiency is presented to illustrate using both methods discussed in the preceding paragraphs.

From Figure 3, the daily integrated collector array efficiency is calculated as:

$$N_{100} = \int Q_{100} dt / \int Q_{001} dt = \int W_{100} C_{100} T_{D100} dt / A_c I_{001} dt \quad (6.6)$$

If the component errors are independent of time then the uncertainty in the integrated daily efficiency is the same as the uncertainty in the instantaneous efficiency given by performance factor N_{101} as:

$$N_{101} = \frac{W_{100} C_{100} T_{D100}}{A_c I_{001}} \quad (6.7)$$

For purposes of illustration, the following reference conditions and tolerances in each variable are assumed with water as the heat transfer fluid:

A_c 3 m² ±1% (±0.01 m²), collector area

W_{100} = 40 l/HR m² x 3 m² = 120 l/HR = 120kg/HR ±2.4 kg/HR), collector flow

C_{100} = 4.19 kJ/kg C, specific heat (NO TOLERANCE)

T_{D100} = 10°C ±1.7% (±0.17°C), temperature rise through collector

I_{001} = 1000 WHR/m² ±3% (30 WHR/m²), incident solar radiation

The nominal array efficiency is determined from equation (6.7) by substitution of the assumed variables at the reference point as:

$$N_{101} = \frac{120 \text{ kg/HR} (4.19) \text{ kJ/kg } ^\circ\text{C} (10) ^\circ\text{C} 1(\text{HR})}{3 \text{ m}^2 1000 (\text{W HR/m}^2) (3.6) (\text{kJ/W HR})} = .465$$

Equation 6.7 is differential with respect to each variable having a non-zero tolerance and each partial derivative is evaluated at the reference condition as follows:

$$\frac{\partial N_{101}}{\partial W_{101}} = \frac{C_{101} T_{D100}}{A_c I_{001}} = \frac{(4.19) (10)}{(3) (1000) (3.6)} = .0039$$

$$\frac{\partial N_{101}}{\partial T_{D100}} = \frac{W_{100} C_{100}}{A_c I_{001}} = \frac{(120) (4.19)}{(3) (1000) (3.6)} = .0466$$

$$\frac{\partial N_{101}}{\partial A_c} = \frac{W_{100} \cdot C_{100} \cdot TD_{100}}{A_c^2 \cdot I_{001}} = \frac{-(120) (4.19) (10)}{(3)^2 (1000) (3.6)} = -.1552$$

$$\frac{\partial N_{101}}{\partial I_{001}} = - \frac{W_{100} \cdot C_{100} \cdot TD_{100}}{A_c \cdot (I_{001})^2} = - \frac{(120) (4.19) (10)}{(3) [(1000) (3.6)]^2} = .00013$$

The error by absolute limits is obtained by substitution of the partial derivatives and tolerances in equation (6-4) as follows:

$$\Delta N_{101} = |(.0039) (2.4)| + |(.0466) (.17)| + |(-.1552) (.01)| + |(-.00013) (98)|$$

$$\Delta N_{101} = .0313$$

$$N_{101} = .465 \pm .031$$

Thus the calculated value of instantaneous efficiency based on absolute error limits indicates an uncertainty of ± 6.7 percent.

The error by statistical bounds is obtained by substitution of the partial derivatives and tolerances in equation (7.5) as follows:

$$N_{101} = [(.0039 \times 2.4)^2 + (.0466 \times .17)^2 + (-.1552 \times .01)^2 + (-.00013 \times 98)^2]^{1/2}$$

$$\Delta N_{101} = .0176$$

$$N_{101} = .465 \pm .0176$$

The statistical or rms method indicates about a ± 3.8 percent uncertainty in the calculation of collector efficiency. As indicated by the sample calculations the absolute limit method gives a larger error value than the statistical method. Because of the randomness of the measurement process for the solar energy systems (i.e., errors among the many different sensors are not correlated), the statistical method is used for the uncertainty and error analysis calculations reported in this document.

When comparing the data reported by different organizations for similar type measurements, consideration of systematic uncertainties must also be considered. For instance, the possible data scatter attributed the systematic facility errors were calculated to be as large as the error resulting from the absolute measurement uncertainty (12).

6.2 Derivation of the Overall Instrumentation Accuracies

Instrumentation accuracies are caused by sampling errors and by systematic sensor errors due to inaccurate calibration, drift, and non-linearities. To evaluate the effect of sensor and sampling errors on the performance factors, the following information is necessary: the analytical expression for each

performance factor, the range of loads and operating points for the solar energy systems and the sampling period. Application of the error analysis method to determine the uncertainty in solar energy system conversion efficiency is described to illustrate the analysis performed for most of the primary factors.

6.2.1 Temperature Sensor Accuracy

There are several ways of expressing temperature sensor accuracy. If all temperature sensors used to compute energy flows are differential sensors, meaning that a temperature rise or drop, not an absolute temperature is measured then accuracy of measuring a temperature differential is expressed as percent (degrees accuracy in measuring the differential divided by the total differential). If the differential is to be measured using two sensors, then the accuracy is the square root of the sum of the individual accuracies squared divided by the temperature difference or

$$\text{accuracy} = \sqrt{\sigma_1^2 + \sigma_2^2} / \Delta T \quad (6.8)$$

Thus, a 2% load temperature accuracy requirement and 20°C assumed load temperature difference means that the temperature accuracy should be .4°C for a differential sensor and .3°C for individual sensors. Similarly, a 4% accuracy and 10°C rise across a collector requires a temperature accuracy of .4°C differential or .3°C for individual sensors.

Other combinations of flow and temperature sensors which fulfill instrumentation accuracy requirements can be determined from Figures 8 and 9. These two graphs were computed from the two error equations that constrain flow and temperature sensor errors.

6.2.2 A Description of Sampling Errors

Sampling errors develop when a signal waveform is not sampled quickly enough so that the exact waveform can be reproduced. Because many solar parameters change quite rapidly (e.g., auxiliary fuel flow or insolation), it is not feasible to sample to reproduce the entire waveform. However, it is possible by sampling a large number of times to statistically reproduce the mean of a waveform. For instance, for a monthly measurement period and a 10-minute sample interval, each parameter mean is based on approximately 2,000 samples. It is the statistics of large numbers which governs sample accuracy (provided correlation effects do not arise).

$$Q_{100} = \int W_{100} \cdot C_{100} \cdot TD_{100} \, dt$$

$$\text{FROM } \sigma_{\text{ins}}^2 = \sqrt{\sigma_w^2 + \sigma_{\text{TD}}^2 + \sigma_I^2 + 2\sigma_S^2}$$

WHERE $\sigma_I = 3\%$, $\sigma_S = 2\%$, AND

$$\Delta T = \begin{matrix} 5.6^\circ\text{C} & (100^\circ\text{F}) & \text{Liquid,} \\ 22.2^\circ\text{C} & (40^\circ\text{F}) & \text{AIR} \end{matrix}$$

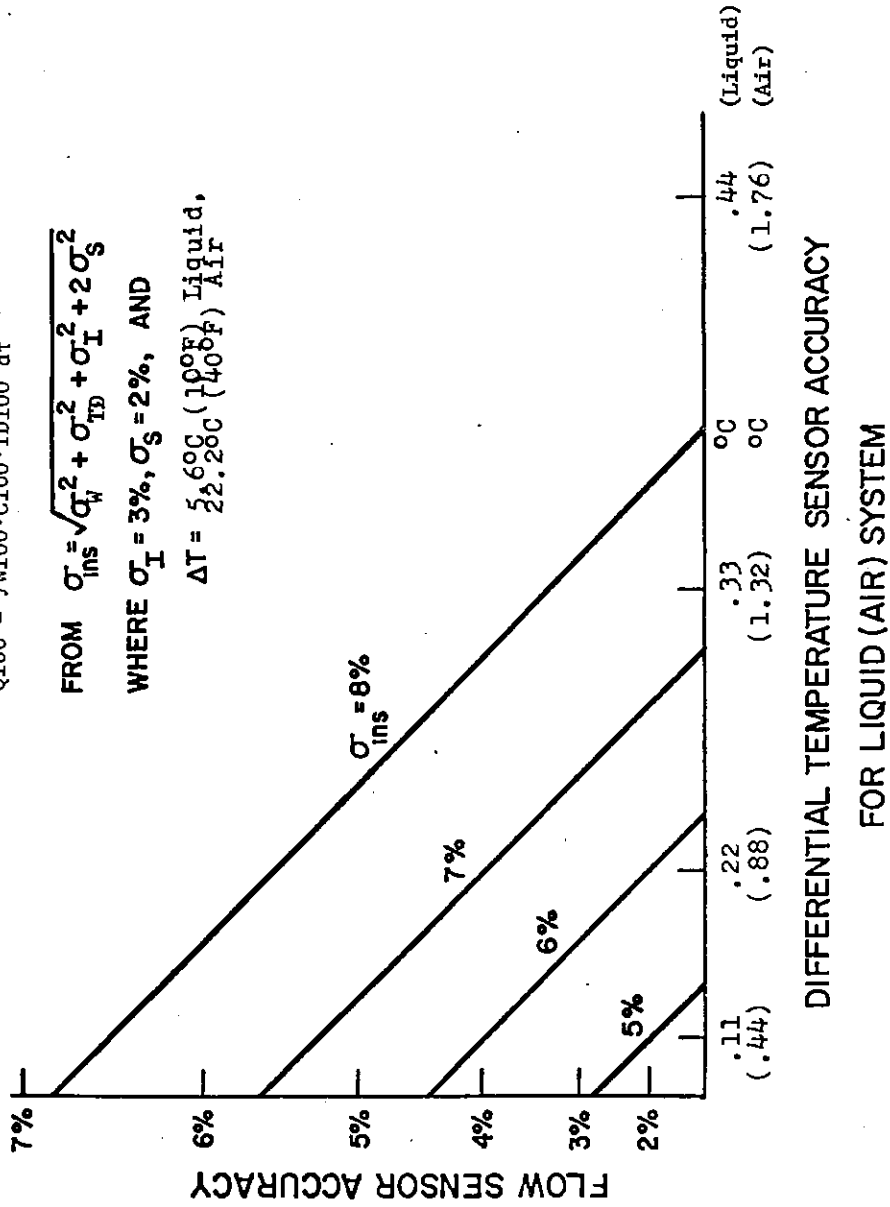


Figure 8 Accuracy in Calculated Solar Energy Collected (Q100)

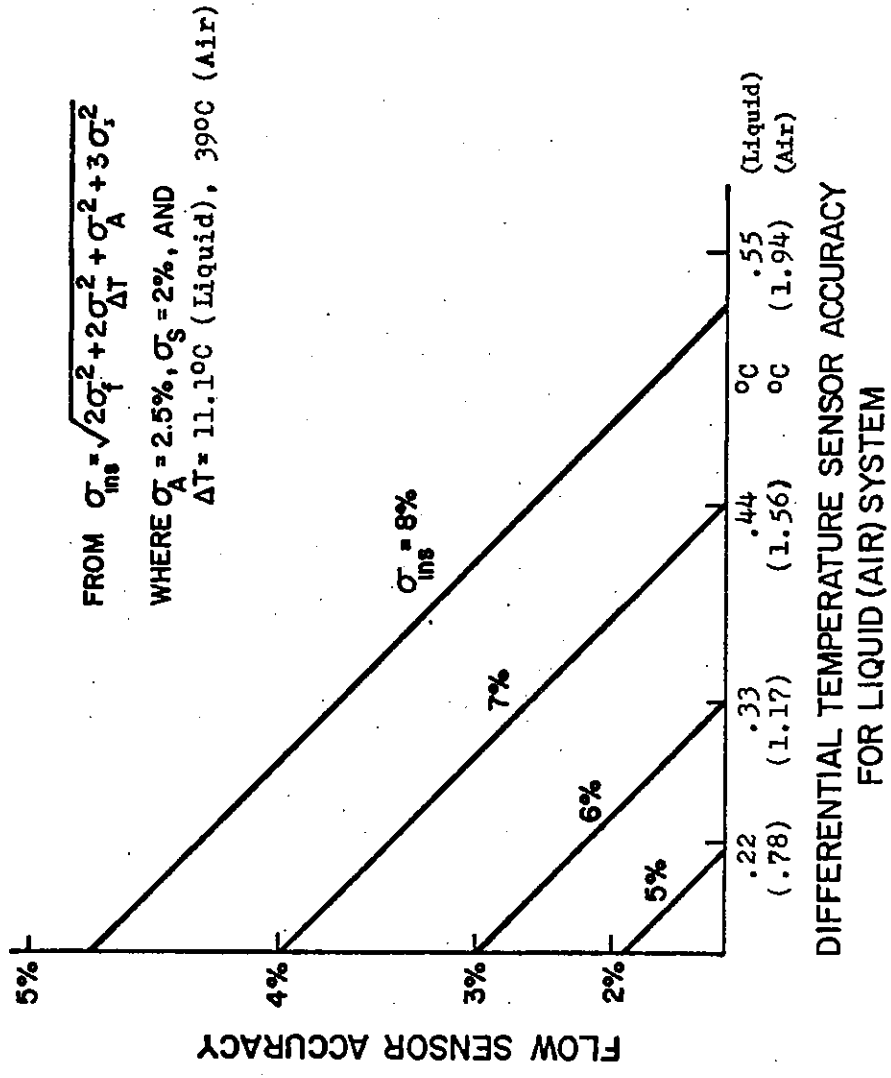


Figure 9 Accuracy in Calculated Solar Used for HW (Q300)

In general, lengthening the sampling period (e.g., from one month to one year) by some factor k decreases sampling error by $1/\sqrt{k}$. Similarly, shortening the sampling interval (e.g., from 30 minutes to 5 minutes) decreases sampling error.

The errors due to sampling can be predicted for the three common types of signals. "ON-OFF," "slowly varying," and "rapidly varying." Error in measuring "ON-OFF" signals is a function of the total number of samples N and the duty cycle, d

$$\sigma = \sqrt{\frac{1-d}{Nd}} \quad (\text{ON-OFF}) \quad (6.9)$$

For "slowly varying" signals (signals that cycle much fewer than once in 2π samples) error is a function of the number of samples, N , and the mean percent change of the signal during one sample interval, a :

$$\sigma < \frac{a}{\sqrt{N(1-a)}} \quad (\text{slowly varying}) \quad (6.10)$$

For "rapidly varying" signals (signals that cycle much faster than once every 2π samples), error is a function of the number of samples, N , and the ratio of the varying to steady signal component, b :

$$\sigma < \frac{b}{\sqrt{N(1-b)}} \quad (\text{rapidly varying}) \quad (6.11)$$

Decreasing the sample interval by a factor of k results in an error decrease of approximately $1/k$ for "ON-OFF", $1/k\sqrt{k}$ for "slowly varying" and $1/\sqrt{k}$ for "rapidly varying." Examples of "ON-OFF", slowly varying, and rapidly varying signals might be auxiliary input to load, storage temperature, and insolation, respectively, for a 2 minute to 60 minute sampling interval. Actual standard deviations for different sampling rates and periods have been computed for insolation, collector output, auxiliary output, etc., using Colorado State House No. 1 data [3]. Typical data for insolation values integrated from measurements made at different intervals are listed in Tables 3a and 3b.

Assuming the 2 minute sampling rate represents the most accurate value obtained, the actual sampling error results are listed in Table 4 and scaled to different sampling intervals and periods. There is wide variation in the monitoring interval required by the different parameters. For example, the analysis indicates insolation need only be monitored once every 20 minutes to maintain a weekly variance below about 1%, but auxiliary sampling with a non-integrating sensor must be made at intervals more frequent than 5 minutes.

Table 3a CSU Sampled Data Using Different Sampling Intervals (Summer 1975)

Parameter Insolation [3]

Date	Minutes					
	2	5	10	20	30	60
6/21	1132.9	1130.0	1118.9	1128.3	1124.2	1160.7
7/9	1111.3	1119.0	1089.9	1100.4	1035.5	995.4
7/13	1768.2	1776.2	1772.6	1763.9	1759.3	1765.7
7/17	1255.3	1266.6	1270.9	1273.0	1242.9	1227.0
7/21	1248.0	1271.6	1254.3	1241.1	1153.9	1072.2
7/23	1263.4	1246.8	1253.1	1204.3	1259.7	1271.7
7/25	1815.2	1811.4	1809.0	1799.1	1792.0	1767.3
7/27	1850.4	1846.6	1840.5	1827.7	1815.1	1779.6
7/29	1564.5	1558.1	1534.4	1515.9	1633.1	1513.0
7/31	1205.6	1207.8	1245.6	1229.3	1219.8	1233.3
S.D. per day		0.8%	1.3%	2.0%	3.3%	5.3%

Table 3b Parameter Insolation (Winter 1974-75)

Date	Minutes					
	2	5	10	20	30	60
12/21	455.0	449.1	446.4	455.2	466.6	465.9
12/23	165.9	159.5	158.0	152.2	159.7	143.7
12/25	1478.9	1476.0	1472.7	1457.4	1445.9	1396.3
12/27	1238.6	1235.8	1235.1	1228.9	1251.7	1270.1
12/29	948.0	937.8	933.3	916.6	896.7	846.5
12/31	1108.1	1102.0	1086.0	1034.4	1045.6	976.0
1/4	1248.4	1242.6	1246.7	1246.2	1205.9	1224.6
1/6	1395.4	1388.1	1380.4	1345.3	1327.4	1228.9
1/15	730.9	741.1	725.0	735.6	778.2	755.0
1/17	1022.4	1017.6	1015.6	1112.4	111.3	1173.3
S.D. per day		0.7%	1.1%	4.3%	5.1%	9.6%

TABLE 4

RANGE OF MEASURED DAILY VARIANCE WITH DATA EXTRAPOLATED
FOR WEEKLY, MONTHLY, AND YEARLY PERIODS.

SAMPLING FREQUENCY (MIN)	INSOLATION				
	5	10	20	30	60
Daily	.7 - .8	1.1-1.3	2.0-4.3	3.3-5.1	5.2-9.6
Weekly	.3	.4 - .5	.8 - 1.6	1.2-2.0	2.0-3.6
Monthly	.1	.2	.4 - .7	.6 - .9	1.0-1.7
Yearly	.1	.1	.1 - .2	.2 - .3	.3 - .5

SAMPLING FREQUENCY (MIN)	COLLECTOR OUTPUT				
	5	10	20	30	60
Daily	3.3-4.6	5.3-11.1	13.9-20.1	18.2-21.5	19.7-23.8
Weekly	1.2-1.7	2.0-4.0	5.2-7.5	7.0-8.0	7.5-9.0
Monthly	.6 - .8	.9-2.0	2.5-3.7	3.3-3.9	3.6-4.3
Yearly	.2	.3 - .6	.7-1.0	.9-1.1	1.0-1.3

SAMPLING FREQUENCY (MIN)	AUXILIARY TO LOAD				
	5	10	20	30	60
Daily	6.7-23.6	6.3-30.9	10.2-43.3	15.8-66.5	23.3-111.8
Weekly	2.5-9.0	2.5-11.5	4.0-16.5	6.0-25.0	9.0-42.0
Monthly	1.2-4.3	1.1-5.6	1.8-8.0	2.8-12.0	4.2-20.0
Yearly	.7	.7	1.1	1.7	2.6

Using the CSU data and the suggested sampling accuracies from Section 6.2.2, sampling rates for various sensors are determined as listed in Table 6.

Data Requirements	Weekly Summations (minutes)	Monthly Summations (minutes)	Yearly Summations (minutes)
load flow	<5	5	30
collector flow and temperature	5	10	60
auxiliary input	<5	5	60
insolation*	30	60	60

*Based on insolation at Colorado State University, Fort Collins, Col. 1974-75.

Table 5 Sampling Rates as a Function of Time Interval for Several Data Requirements Types

Sensors requiring sampling rates greater than once every five minutes can be continuously integrated and then sampled. It is recognized that the data utilized is for a specific system, load and climatic conditions and will only provide estimates of sample rates for other combinations of these factors. For example, insolation sample rates are a function of the weather variability and a rate of 3 minutes is used in the Washington, D.C. area to obtain an uncertainty of about 1% [7]. A sampling rate of 1 minute or less is recommended for both insolation and auxiliary energy related measurements.

6.2.3 Solar Energy Conversion Efficiency (N111)

The conversion efficiency of a heating and HW solar energy system is determined by dividing the solar energy delivered to the load by the available insolation.

Instrumentation uncertainty (σ_{INS}) is given by:

$$\sigma_{INS}^2 = (\sigma_{W_1}^2 + \sigma_{TD_1}^2 + \sigma_{S_1}^2) \left(\frac{Q_{300}}{Q_{300} + Q_{400}} \right)^2 + (\sigma_{W_2}^2 + \sigma_{TD_2}^2 + \sigma_{S_2}^2) \left(\frac{Q_{400}}{Q_{300} + Q_{400}} \right)^2 + \sigma_I^2 + \sigma_{S001}^2 \quad (6.12)$$

where σ_w and σ_{TD} are uncertainties in solar-to-load flow and temperature difference sensors, σ_s is the sampling uncertainty, Q_{300} and Q_{400} is solar energy to hot water and heating respectively, σ_I is insolation sensor uncertainty, and σ_{S001} is the insolation sampling uncertainty.

Assuming conditions such that $Q300 \gg Q400$, the instrumentation accuracy is:

$$\sigma_{INS}^2 = \sigma_{W_1}^2 + \sigma_{TD_1}^2 + \sigma_{S_1}^2 + \sigma_I^2 + \sigma_{S001}^2 \quad (6.13)$$

The sensor accuracy and sampling rate accuracy necessary to achieve a 6% instrumentation uncertainty is determined as described in the following sections.

6.2.4 Sensor Accuracy

The two worst case RMS instrumentation error equations that determine necessary sensor accuracies for system and collector array efficiencies respectively are

$$\sigma_{INS}^2 = \sigma_{W301}^2 + \sigma_{TD301}^2 + \sigma_{I001}^2 + \sigma_{S300}^2 + \sigma_{S001}^2 \quad (7.14)$$

$$\sigma_{INS}^2 = \sigma_{W100}^2 + \sigma_{TD100}^2 + \sigma_{I001}^2 + \sigma_{S100}^2 + \sigma_{S001}^2 \quad (7.15)$$

where

$\sigma_{W301} = \sigma_{W100}$ = flow sensor accuracies

σ_{TD301} = load temperature sensor accuracy (10°C differential)

σ_{TD100} = array temperature sensor accuracy (5°C differential)

σ_{I001} = insolation sensor accuracy

σ_{S300} = sampling error for solar or auxiliary to load

σ_{S001} = sampling error for insolation

σ_{S100} = sampling error for collector output

On the basis of performance a reasonable strategy for initial selection of sensor accuracy and sampling rate is to balance the error terms of the error equations. For example, using the instrument error equation for system conversion efficiency and a 6% instrument error criterion, the error terms would be balanced according to:

$$\frac{6\%}{\sqrt{5}} \approx 2.7\% \approx \sigma_{W301} \approx \sigma_{TD301} \approx \sigma_{I001} \approx \sigma_{S300} \approx \sigma_{S001} \quad (6.16)$$

Using this term balancing strategy, sensor and sampling accuracies are selected and iteratively refined to reasonable values using tradeoff charts shown in Figures 8 and 9. The results for the projected sensor accuracy and sampling requirements are as follows:

Sensor	Sensor Accuracy	Sampling Accuracy
load flow	+ 2%	<u>±</u> 2%
load temp.	<u>±</u> 2%	—
collector flow	<u>±</u> 2%(liq) <u>±</u> 3%(air)	<u>±</u> 2%
collector temp.	<u>±</u> 4%(liq) <u>±</u> 3%(air)	—
insolation	<u>±</u> 3%	<u>±</u> 2%
auxiliary input	<u>±</u> 2.5%	<u>±</u> 2%

6.3

SUMMARY

The final instrumentation accuracy and performance factor uncertainty will depend upon economic tradeoffs of sensor cost, installation and maintenance.

Using the instrument error equations and selecting a desired instrumentation uncertainty of 6% as being reasonable and achievable, the values of sensor accuracy and sampling rate were assigned to the various measurements as shown in Table 6.

TYPE	DESIGN	DATA REQUIREMENT	RANGE	ACCURACY	MEASUREMENT FREQUENCY
Climatic	I001	Total Radiation	0-1100	+ 3% FS (W/m^2)	1 min or less
	I002	Diffuse Radiation	0-600	+ 6% FS (W/m^2)	5 min
	T001	Outdoor DB Temperature	-25 to 50	+ 1°C	Avg/hr
	V001	Wind Velocity	0 to 45	+ 1 (m/s)	Avg/hr
	D001	Wind Direction	0 to 360	+ 20°	Avg/hr
	T002	Outdoor Wet Bulb Temp	0 to 40	+ 1°C	Avg/hr
Collector and Transport Subsystem	T100	Collector Inlet Temp	50 to 150	+ 0.3°C (L) + 0.6°C (A)	5 min
	TD100	Collector Temp Diff	-5 to 40	+ 0.15°C (L) + 0.7°C (A)	1 min
	T101	Storage Inlet Temp	15 to 120	+ 0.3°C (L) + 1°C (A)	5 min
	TD101	Storage Temp Diff	0 to 60	+ 0.15°C (L) + 1°C (A)	1 min
	T102	Collector Absorber Temp	0 to 260	+ 2°C	Daily at solar noon
	W100	Collector Flow Rate	varies	+ 2% (L) + 3% (A) FS	1 min
	PD100	Collector Press Diff	varies	+ 5% FS	Daily at solar noon
	Storage Subsystem	T200	Storage Media Ave Temp	15 to 120	+ 1°C
T201		Storage Ambient Temp	-25 to 50	+ 1.5°C	hr.
PD101		Storage Press Diff (Air)	varies	+ 2%	hr.
Hot Water Subsystem	T301	Makeup Water Temp	0 to 30	+ 0.3°C	Avg/hr.
	T300	HX Inlet Temp	5 to 100	+ 0.3°C	5 min
	TD300	HX Temp Diff	0 to 30	+ 0.15°C (L) + 0.5°C (A)	1 min
	TD301	Storage Temp Diff	0 to 40	+ 0.15°C (L) + 0.5°C (A)	1 min
	TD302	Auxiliary Temp Diff	0 to 60	+ 0.15°C	1 min
	W300	Circulation Flow Rate	varies	+ 2% FS	1 min
	W301	Load Flow Rate	varies	+ 3% FS	Continuous & Cumulat
Heating Subsystem	T400	Load Return Temp	30 to 80	+ 0.3°C (L) + 1°C (A)	1 min
	TD400	Storage Temp Diff	0 to 30	+ 0.15°C (L) + 1°C (A)	1 min
	TD401	Auxiliary Temp Diff	0 to 60	+ 0.15°C (L) + 1°C (A)	1 min
	W400	Circulation Flow Rate	varies	+ 2% (L) + 3% (A) FS	1 min
	TD402	HTG Load Temp Diff	0 to 60	+ 0.15% (L)	1 min
Cooling Subsystem	T500	Load HX Inlet Temp	5 to 20	+ 0.3°C	1 min
	TD500	Load HX Temp Diff	0 to 50	+ 0.15°C	1 min
	T501	Cooling Tower Inlet Temp	5 to 50	+ 0.3°C	5 min
	TD501	Cooling Tower Temp Diff	0 to 15	+ 0.15°C	1 min
	W500	Load HX Flow Rate	varies	+ 2% FS	1 min
	W501	Cooling Tower Flow Rate	varies	+ 2% FS	5 min
	Operating Power & Auxiliary Energy	EP101	Collector Circ Pump Power	AKW varies	+ 5% FS
EP301		HW Circ Pump Power	AKW varies	+ 5% FS	5 min or on/off
EP401		HTG Loop Circ Pump Power	AKW varies	+ 5% FS	5 min
EP402		Bldg Fan Power	AKW varies	+ 5% FS	5 min
EP403		Heat Pump Compress Power	AKW varies	+ 2% FS	5 min or less
EP501		Absorp Chiller Oper Power	AKW varies	+ 2% FS	5 min or less
EP300		HW Elec Aux Power	AKW varies	+ 2% FS	5 min or less
EP400		HTG Elec Aux Power	AKW varies	+ 2% FS	5 min or less
F300		HW Aux Fuel Flow	varies	+ 2% FS	1 min or less
F400		HTG Aux Fuel Flow	varies	+ 2% FS	1 min or less
F500		Cooling Aux Fuel Flow	varies	+ 2% FS	1 min or less
Building System	T600	Bldg Return Air DB Temp	10 to 35	+ 1°C	5 min
	TD600	Supply/return Air Temp Diff	10 to 50	+ 1°C	5 min
	T601	Bldg Return air WB Temp	-5 to 30	+ 1°C	5 min
	T602	Bldg Supply Air WB Temp	-5 to 30	+ 1°C	5 min
	W600	Building Air Flow Rate	varies	+ 2% FS	5 min
	W601	Condensate Flow	varies	+ 5% I	5 min
	HF600	Heat Flow Meter	0.1 to 15°C (ΔT)	+ 5%	5 min
	TD601	HT Pump Cond & Load HX Temp Diff	0 to 30	+ 1°C	5 min

Table 6 INSTRUMENTATION RANGE, ACCURACY AND MEASUREMENT FREQUENCY

7.0 APPLICATION OF PERFORMANCE FACTORS

The performance factor data generated during an experimental program will provide the basis to directly determine parameters such as energy saved, thermal efficiency and energy contributions to the various functional loads. However, to fulfill the national program goals the data will also be applied to determine correlations between building types, climates and heating and cooling system designs, to verify design methods and to establish reasonable performance goals.

Although exact system or subsystem comparisons must await the selection of specific solar system/building/climate combinations, examples of the format and general use of performance factors are presented as illustrations of how the data can be utilized.

7.1 Solar Energy System Thermal Performance

The technical selection of a solar system is based primarily on the thermal performance in terms of energy collected on monthly or annual/seasonal periods. Data such as shown in Figure 10 presents the amount of energy utilized for auxiliary energy as well as for the heating and cooling functions and the total energy supplied for a single site. Individual comparisons of solar energy systems (in similar climates) and collector areas can be made using this type of chart. For systems with varying collector size, the energy quantity can be expressed per unit collector area. Comparisons are made for each unique type of solar system to include air, liquid, active and passive. The data should be tabulated for monthly, seasonal and annual time periods to cover the following functional areas as appropriate.

Functions:

- A. Hot Water
- B. Space Heating
- C. Space Cooling
- D. Space Heating and Space Cooling
- E. Space Heating and Hot Water
- F. Space Heating and Cooling and Hot Water
- G. Space Cooling and Hot Water

7.2 Solar Energy System Thermal Effectiveness

The effectiveness of a solar energy system to meet the total functional loads on a cumulative basis for each building type can be illustrated for a single site as shown in Figure 11. Comparison of the effectiveness of similar solar system types

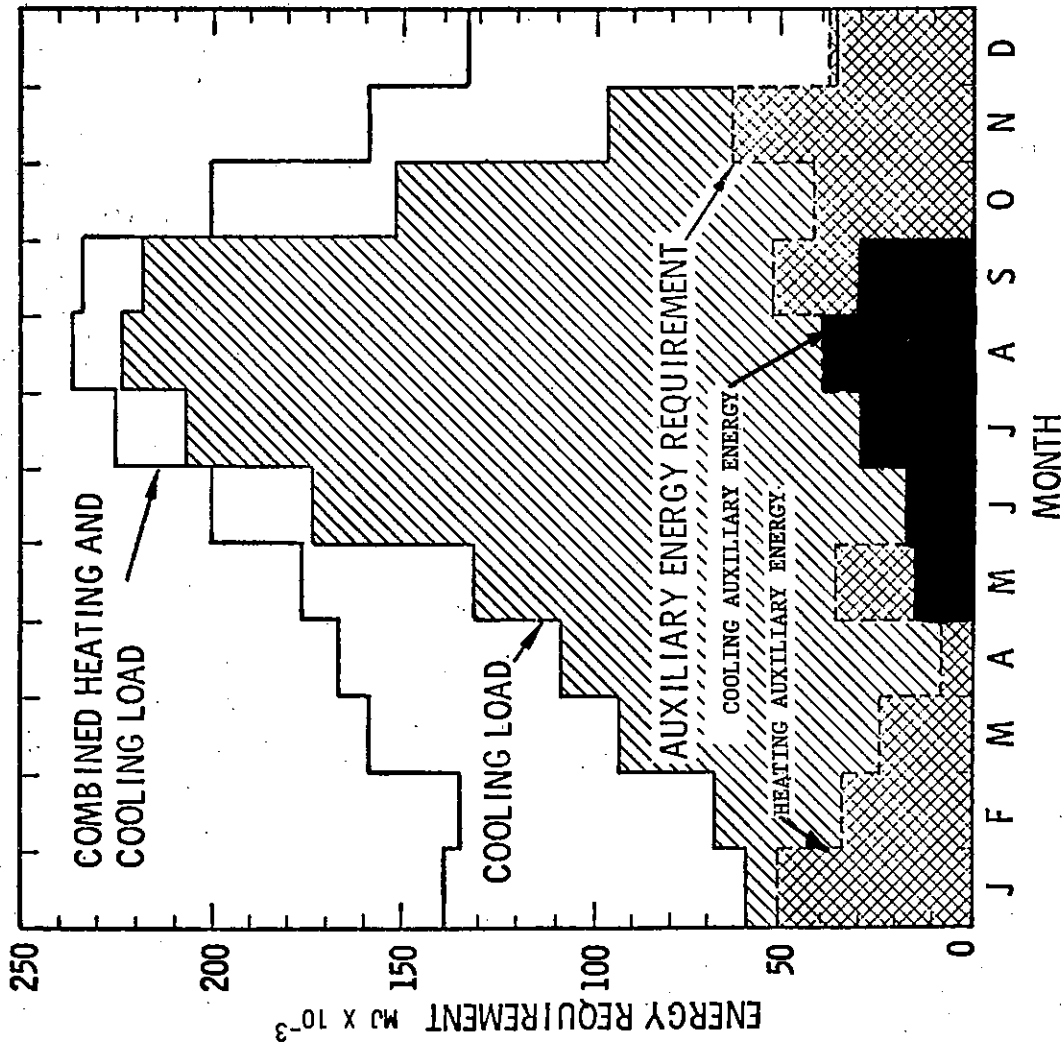


Figure 10 Monthly Heating and Cooling Loads and Auxiliary Energy Requirement

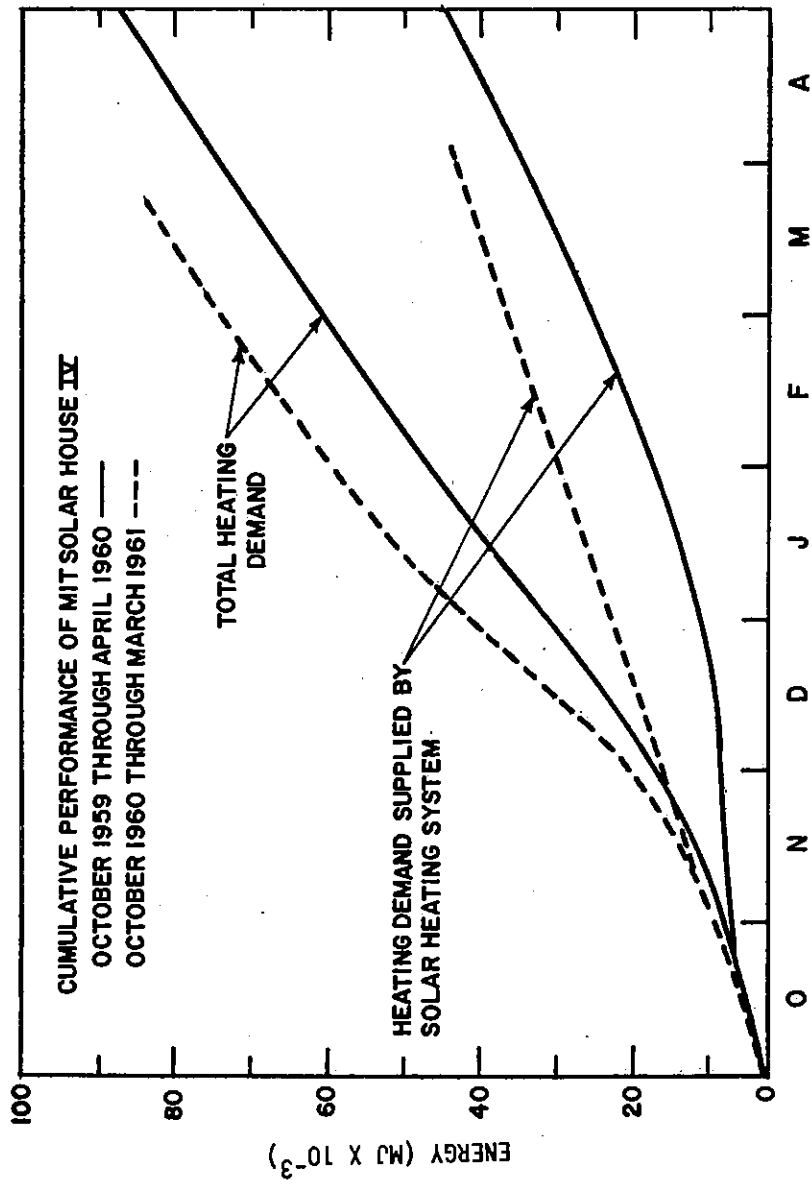


Figure 11 Cumulative Energy Use for the MIT Solar House IV during Two Winter Heating Seasons [9]

and climates on a seasonal basis is done by normalizing the building size and load per degree day of heating or cooling and presenting the data in tabular form for monthly, seasonal and annual time periods.

7.3 Analytical Predictions

The design of solar systems is currently based on analytical models and calculated performances. A monitoring program will provide the measured data for comparison with prediction of the following performance factors:

- (1) Energy Delivered to Load (HW, heating, cooling, total)
- (2) Solar Fraction of Energy Delivered to Load (HW, heating, cooling, total)
- (3) Solar Energy Conversion Efficiency
- (4) Energy Saved (Electric and Fossil)
- (5) Collector Array Efficiency

Comparisons can be made on an individual site basis as illustrated in Figures 10 and 11 or tabular data for many sites can be used to determine standard deviations as a function of climate and building characteristics for monthly and annual periods.

7.4 Solar Collector Array

Technical innovations are needed in the development of collectors, therefore, comprehensive characterization, measurement, and comparison of operating performance data for the many collector varieties will be necessary. Because of the influence of site integration and operating mode, comparison of preinstallation performance data for individual panels and the array performance, as illustrated in Figure 12, is desirable using instantaneous and daily, monthly and annual efficiencies. Other comparisons based upon design or material properties are listed as follows:

- A. Flat Plate
 1. Absorber Coating
 - a. Flat Black
 - b. Selective
 2. Covers
 - a. Number
 - b. Material Type

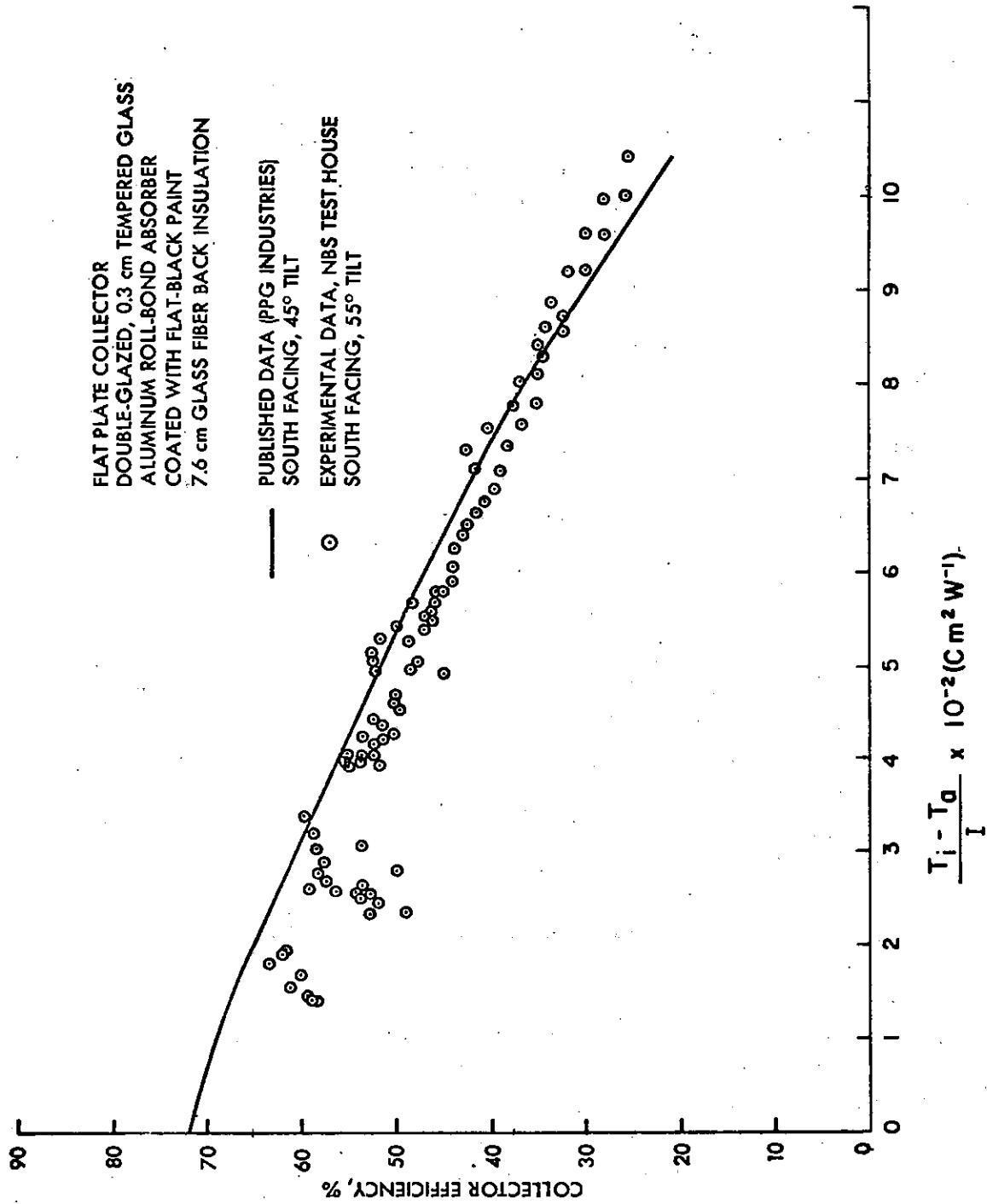


Figure 12 Comparison of Collector Panel and System Collector Array Performance [9]

- B. Concentrator
 - 1. Cylindrical
 - 2. Tubular
 - 3. Trapezoidal
 - 4. Other

7.5 Component Predicted Performance

It is not the intent of the test and evaluation program to develop components but the influence of the operating mode and environment will be determined on major subsystems or components as listed below:

- A. Collector Array
- B. Storage
- C. Energy Transport
- D. Energy Conversion Equipment

An example of the comparisons in collector performance between predicted and experiment are shown in Table 7 for the three key heat transfer areas: (a) solar absorptance-transmittance product ($\alpha\tau$)_e; (b) heat removal efficiency factor (F_R); and (c) heat loss coefficient (U_L). These values are obtained by reducing the collector performance data during selected periods of quasi-steady state to plot in the slope-intercept form.

An example of the use of the slope-intercept plot to illustrate collector material degradation is shown in Figure 13. Tabular values of $\alpha\tau$ and U_L for similar materials as a function of climatic exposure will reveal the differences related to environmental conditions.

7.6 Climatic Data

Climatic data measured during the program will be reported for hourly, monthly and annual data as follows:

- A. Total solar radiation at collector tilt angle
- B. Direct solar radiation at collector tilt angle for selected sites
- C. Ambient dry bulb temperature
- D. Ambient wet bulb temperature at selected sites
- E. Wind direction and velocity at selected sites

As example of reporting monthly values of global solar radiation on a horizontal surface at Stockholm, Sweden is shown in Figure 14 (10).

COLLECTOR CONFIGURATION	EXPERIMENTAL RESULT				ANALYTIC PREDICTION			
	INTERCEPT	$\alpha\tau_e$	F R	U L	INTERCEPT	$\alpha\tau_e$	F R	U L
Selective absorber, two glass covers (baseline collector)	0.74	0.80	0.93	0.63	0.74	0.77	0.96	0.46
Nonselective absorber, two glass covers	0.80	0.83	0.96	0.98	0.74	0.77	0.96	0.71
Selective absorber, one glass cover	0.82	0.87	0.94	0.84	0.79	0.83	0.95	0.61
Nonselective absorber one glass cover	0.89	0.89	1.0	1.3	0.78	0.83	0.94	1.03

Table 7 Comparison of Collector Performance Coefficients Derived from Testing and Analysis [11]

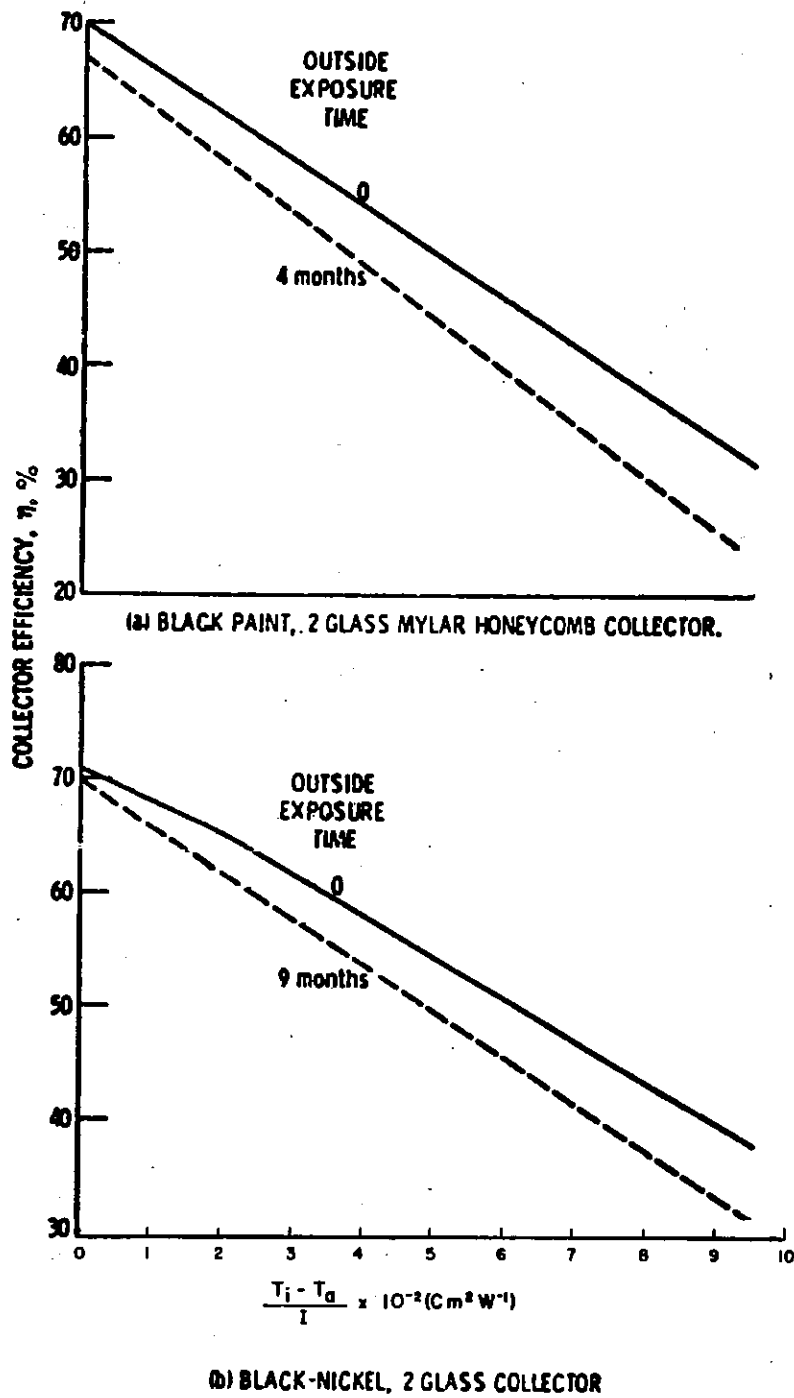


Figure 13 Illustrations of Detecting Collector Degradation From Thermal Performance Measurements.

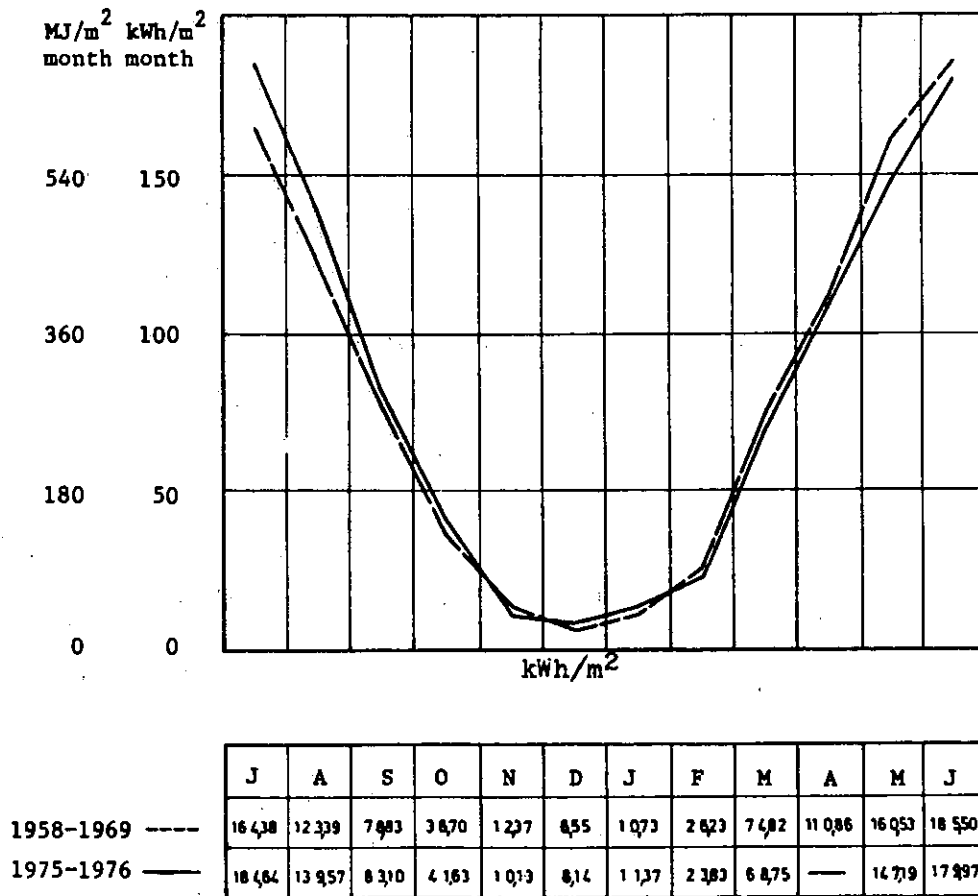


Figure 14 Global Radiation on a Horizontal surface at Stockholm, Sweden.

7.7 Recommendations

Table 7 lists a number of data correlations and evaluations possible with the available measurements and calculated performance factors. Due to the large number of building types, solar energy systems and climatic regions, it is obvious that computerized data reduction will be necessary to perform the necessary evaluation. It is therefore recommended that additional study of the data format and computerized data reduction requirements be undertaken to more efficiently implement the various correlations studies planned and to assure availability of the results to the potential users.

PERFORMANCE FACTORS

EVALUATION AREA

Q100, Q300, Q400, Q500, Q600	1. Solar system type versus thermal performance in similar climate and function.
Q300, Q400, Q500, Q600, Q301, Q401, Q501, Q602, Q603	II. Solar system effectiveness in meeting total demand for various buildings as a function of climate.
N601, N602, Q001, Q100, Q601, N100, N113	III. Correlation between analytical and measured thermal performance for various climates and applications
Q311, Q313, Q415, Q417, Q512 Q514, Q604, Q605	IV. Fossil and electric energy saving as a function of climate and building type.
Q001, Q100, Q300, Q400, Q500, N100, N101, N102, N113	V. Correlation between collector type and climate (same function).
Q001, N200, N201, N103, N101, N102, N104, N300, N400, N500	VI. Correlation between component measured and predicted performance (same climate and function).
Q001, Q002, T001, T002, V001, D001	VII. Inputs to the Data Bank

Table 8 Application of Specific Performance Factors to Evaluation Areas

8.0 Conclusions

The quantity and type of measurements described reflect a level of instrumentation that will provide a capability for full evaluation of each solar energy system and for each building, partial evaluation of most components performance and measurement of local climatic data.

To reduce instrumentation costs, an assessment of the significance of the performance factors should be made for each system/building combination. The four factors considered essential for the performance evaluation of solar energy systems are;

- conventional energy saved by the solar energy system
- solar fraction of total load
- solar energy system conversion efficiency
- solar energy collected per unit collector area

The primary tool used to determine the data requirements and the selection of instrumentation is the analytical heat balances. Sufficient heat balance calculations are required to equate the total energy input to the total energy output for the subsystem or component plus an acceptable heat loss to provide an energy balance closure of about ten percent. Errors greater than approximately ten percent will not permit useful comparison between different systems. Error analysis of most performance evaluation factors for active solar energy systems have shown that the experimental data can be obtained with an accuracy of about ± 6 per cent using commercially available sensors.

1. Streed, E. R., McCabe, M., Waksman, D., Hebrank, J., Richtmyer, T., "Thermal Data Requirements and Performance Evaluation Procedures for the National Solar Heating and Cooling Demonstration Program," NBSIR 76-1137, U.S. Gov't Printing Office, Washington, D.C. 20402, SD Cat. No. C13
2. "Procedures for Determining Heating and Cooling Loads for Computerized Energy Calculations," The Task Group on Energy Requirements for Heating and Cooling, ASHRAE, 345 East 47th Street, New York, 1971.
3. ASHRAE Standard 90-75, "Energy Conservation in New Building Design," 1975. Available American Society of Heating and Refrigerating and Air Conditioning Engineers, Inc., 345 East 47th Street, New York, N.Y. 10017
4. ASHRAE Standard 93-77 "Method of Testing for Determine the Thermal Performance of Solar Collectors," Corrected Pringing August 1978, ASHRAE, 345 East 47th Street, New York, N.Y. 10017.
5. Personal Communication, Dr. Dan S. Ward, Colorado State University, Ft. Collins, Colorado; and Study on "Instrumentation Type, Range, Accuracy, and Measurement Frequency Required to Monitor and Evaluate the Thermal Effectiveness of Solar Heating and Cooling and Hot Water System," NBS Purchase Order No. 608692, March 1976.
6. Kelly, G. E., "Potential of Air-to-Air Heat Pumps for Energy Conservation in Residential Buildings," NATO Advanced Study Institutes, Series E: Applied Science No. 15, Noordhoff-leyden, 1976 (Available from National Bureau of Standards, Washington, D.C. 20234).
7. Personal Communication, Dr. William H. Klein, Radiation Biology Laboratory, Smithsonian Institution, Rockville, Maryland, Jaunary 1976.
8. Engebretson, C.D., The Use of Solar Energy for Space Heating, M.I.T. Solar House IV, "Proceedings of the United Nations Conference on New Sources of Energy," Rome, August 21-31, 1961, Vol. 5 III e.2 pp. 159-172.
9. Hill, J. E., Richtmyer, T. E., and Jenkins J., "Initial Test Results for a Solar Cooled Townhouse in the Mid-Atlantic Region," National Bureau of Standards, Washington, D.C. 20234, Presented at ASHRAE Semi-Annual Meeting, June 1976.
10. Ahlstrom, B., Hedman, E., Dattermark, B., "Solar Energy House in Lin.oping," Swedish Council for Building Research, Stockholm, NP-23368, 1977 (Also NTIS, U.S. Dept. of Commerce, Springfield, Va.)
11. Ramsey, J. W., Borzoni, J. T., and Holland, T. H., "Development of Flat-Plate Solar Collectors for the Heating and Cooling of Buildings," "NASA CR-134804, June 1975.
12. Streed, E. R., et al, "Results and Analysis of a Round-Robin Test Program for Liquid-Heating Flat-Plate Solar Collectors," NBS Tech Note 975, U.S. Gov't Printing Office Stock No. SNO03-003, 3., August 1978.

APPENDIX A

National Contact Persons for TASK 1

BELGIUM Prof. André Pilatte
Faculté Polytechnique de Mons
Boulevard Dolez 31
B-7000 Mons
Tel: (065) 338191

DENMARK Mr. Ove Jorgensen
Thermal Insulation Laboratory
Technical University of Denmark
Building 118
DK-2800 Lyngby
Tel: (02) 883511

GERMANY Dipl.-Ing. F.J. Friedrich
Projektleitung Energieforschung
Kernforschungsanlage Jülich GmbH
Postfach 1913
D-5170 Jülich
Tel: (02461) 614621
Tlx: 0833556 kfa d
FRIEDRICH PLE

ITALY Professor Aldo Fanchiotti
Istituto di Macchine e
Technologie Meccaniche
Facolta d'Ingegneria
Via Eudossiana 18
Roma 00184
Tel: (06) 4754141

JAPAN Mr. Taira Sunami
Senior Officer for Solar Energy Development Program
Agency of Industrial Science and Technology
MITI
3-1 Kasumigaseki, Chiyoda-Ku
Tokyo
Tel: 03-501-1511 ex. 4658
Tlx: EIDMITI J22916

NETHERLANDS Prof. Ir. C.W.J. van Koppen
Eindhoven University of Technology
P.O.Box 513
Eindhoven

SPAIN

Mr. Eduardo G. Mezquida
Instituto Nacional de Técnica Aeroespacial
Torrejon de Ardoz
E-Madrid
Tel: 6750700, ex. 479

SWEDEN

Prof. Ingemar Höglund
The Royal Institute of Technology
Division of Building Technology
S-10044 Stockholm 70
Tel: 08/236320

SWITZERLAND

Dr. Phys. André Faist
Ecole Polytechnique Fédérale
de Lausanne
33 Av. de Cour
CH- Lausanne
Tel: 021/264621

U.S.A.

Mr. James Hedstrom
Los Alamos Scientific Laboratory
Mail Stop 571
Los Alamos
New Mexico 87545
Tel: (505) 667-6441

United Kingdom

Mr. David Curtis
Faber Computer Operation Ltd.
18 Upper Marlborough Rd.
St. Albans, Herts

